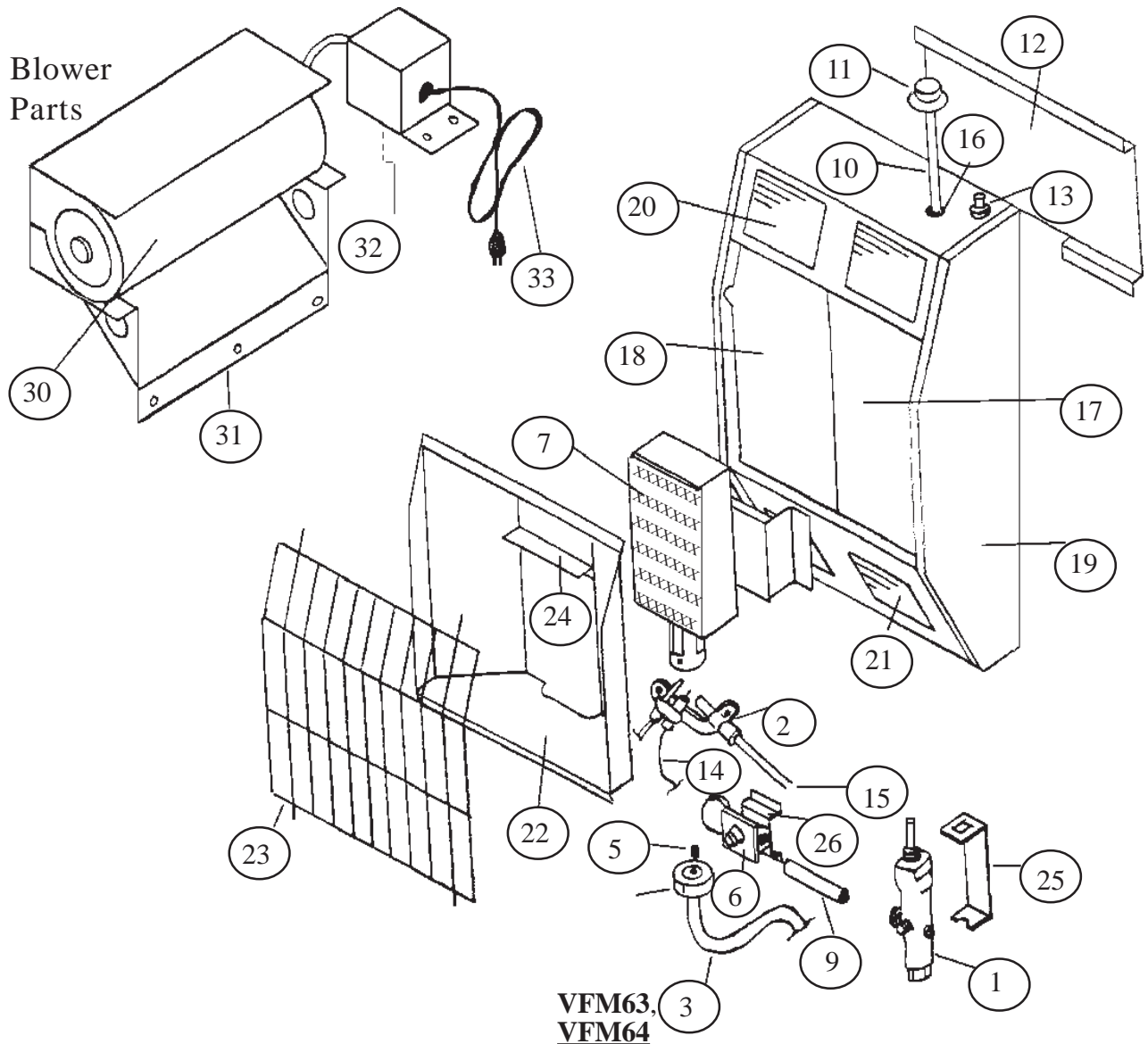


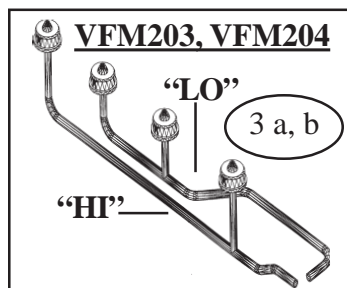
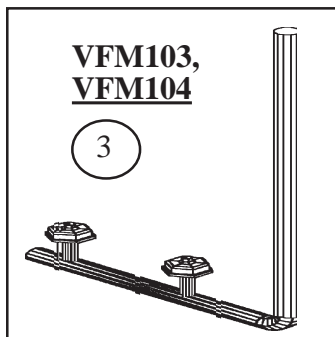
<u>MANUAL MODELS</u>	
<u>NAT. GAS</u>	<u>L.P. GAS</u>
VFM63	VFM64
VFM103	VFM104
VFM203	VFM204

**VENT FREE INFRA-RED HEATER
MANUAL CONTROL
PARTS LIST**

Prices and specifications subject to change without notice. All prices are F.O.B. factory.



**VFM63,
VFM64**



REPLACEMENT PARTS LIST. TO ORDER REPLACEMENT PARTS YOU MUST GIVE MODEL NUMBER, SERIAL NUMBER, TYPE OF GAS USED, PART DESCRIPTION AND PART NUMBER.

MODEL NUMBERS NATURAL		VFM63		VFM103	
MODEL NUMBERS PROPANE		VFM64		VFM104	
	REF.	PART	LIST	PART	LIST
PART DESCRIPTION	NO.	NO.	PRICE	NO.	PRICE
Valve, CPMM-21400/17	1	88290	\$ 47.50	88290	\$ 47.50
*ODS/Pilot (NAT. GAS)	2	88164	\$ 23.70	88164	\$ 23.70
*ODS/Pilot (L.P. GAS)	2	88165	\$ 23.70	88165	\$ 23.70
Manifold	3	88147	\$ 11.80	88148	\$ 23.50
Manifold "LO"	3a	N/A	N/A	N/A	N/A
Manifold "HI"	3b	N/A	N/A	N/A	N/A
Burner Orifice (NAT. GAS)	5	88021	\$ 4.00	88021	\$ 4.00
Burner Orifice (L.P. GAS)	5	88020	\$ 4.00	88020	\$ 4.00
Gas Regulator (NAT. GAS)	6	88035	\$ 20.50	88035	\$ 20.50
Gas Regulator (L.P. GAS)	6	88036	\$ 20.50	88036	\$ 20.50
Burner Assembly	7	88150	\$ 49.40	88151	\$ 93.10
Gas Supply Tube	9	88045	\$ 3.30	88066	\$ 4.90
Control Rod	10	88019	\$ 13.70	88019	\$ 13.70
Control Knob	11	88075	\$ 4.70	88075	\$ 4.70
Wall Mounting Bracket	12	35220	\$ 8.20	35220	\$ 8.20
Piezo	13	80016	\$ 6.70	80016	\$ 6.70
Electrode Wire 30"	14	88070	\$ 3.30	88070	\$ 3.30
Pilot Tubing Assy.24"Nat.&L.P.	15	88013	\$ 5.50	88013	\$ 5.50
Control Rod Grommet	16	88018	\$ 1.40	88018	\$ 1.40
Casing Back	17	35165	\$ 19.70	35425	\$ 22.60
Casing Left Side	18	35060	\$ 15.30	35060	\$ 15.30
Casing Right Side	19	35070	\$ 15.30	35070	\$ 15.30
Top Front Panel	20	35045	\$ 17.30	35340	\$ 18.90
Bottom Front Panel	21	35080	\$ 11.80	35360	\$ 12.50
Bezel Assembly	22	35100	\$ 50.70	35380	\$ 54.60
Wire Guard	23	88100	\$ 25.10	88101	\$ 27.00
Heat Shield	24	35200	\$ 3.00	35460	\$ 3.40
Valve Support Bracket	25	35185	\$ 3.40	N/A	N/A
Regulator Support Bracket	26	35240	\$ 5.90	35240	\$ 5.90
Lighting Instruction Assembly	N/A	91370	\$ 3.30	91370	\$ 3.30
* CURRENT ODS PILOT (88164 [NAT.] & 88165 [L.P.]) RETRO FITS ALL PILOTS. YOU MAY OR MAY NOT					
NEED TO USE PART NO. 88053 3/16 COMPRESSION NUT W/FERRULE (PROVIDED).					

THERMOSTAT MODELS

NAT. GAS L.P. GAS

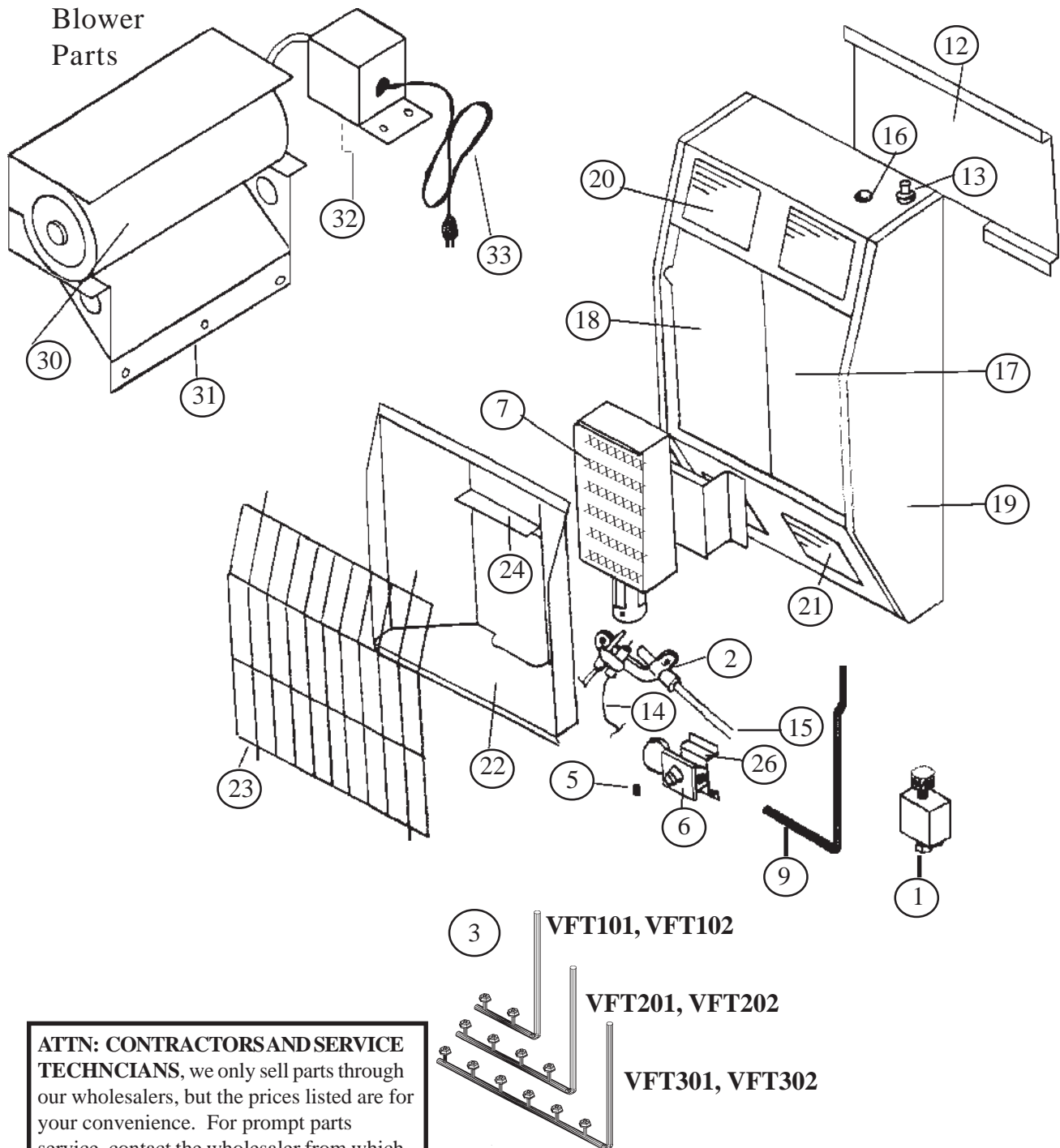
VFT101 VFT102

VFT201 VFT202

VFT302 VFT302

**VENT FREE INFRA-RED HEATER
THERMOSTAT CONTROL
PARTS LIST**

Prices and specifications subject to change without notice. All prices are F.O.B. factory.



ATTN: CONTRACTORS AND SERVICE TECHNICIANS, we only sell parts through our wholesalers, but the prices listed are for your convenience. For prompt parts service, contact the wholesaler from which you purchased your Cozy heater. NOTE: Parts & schematic drawings on current models are shown at www.cozyheaters.com.

REPLACEMENT PARTS LIST. TO ORDER REPLACEMENT PARTS YOU MUST GIVE MODEL NUMBER, SERIAL NUMBER, TYPE OF GAS USED, PART DESCRIPTION AND PART NUMBER.

MODEL NUMBERS NATURAL		VFT101		VFT201		VFT301	
MODEL NUMBERS PROPANE		VFT102		VFT202		VFT302	
	REF.	PART	LIST	PART	LIST	PART	LIST
PART DESCRIPTION	NO.	NO.	PRICE	NO.	PRICE	NO.	PRICE
THE PARTS LISTED BELOW WERE USED ON HEATERS WITH SER. #'s 9616---- through 0216---- & 0716 ---- to present. (1996 through 2002 & 2007 to present). (Check BLOCK 3 below for different parts used on 2003 through 2006).							
Valve, 0.630.531 (S.I.T.)	1	88174	\$ 175.10	88174	\$ 175.10	88174	\$ 175.10
* ODS/Pilot (NAT. GAS) (see note below)	2	88164	\$ 23.70	88164	\$ 23.70	88164	\$ 23.70
* ODS/Pilot (L.P. GAS) (see note below)	2	88165	\$ 23.70	88165	\$ 23.70	88165	\$ 23.70
Manifold	3	88041	\$ 26.60	88042	\$ 35.60	88043	\$ 49.40
Burner Orifice (NAT. GAS)	5	88021	\$ 4.00	88021	\$ 4.00	88021	\$ 4.00
Burner Orifice (L.P. GAS)	5	88020	\$ 4.00	88020	\$ 4.00	88020	\$ 4.00
Gas Regulator (NAT. GAS)	6	88035	\$ 20.50	88031	\$ 20.50	88031	\$ 20.50
Gas Regulator (L.P. GAS)	6	88036	\$ 20.50	88032	\$ 20.50	88032	\$ 20.50
Burner Assembly	7	88151	\$ 93.10	88152	\$ 170.10	88153	\$ 230.70
Gas Supply Tube	9	88046	\$ 7.10	88046	\$ 7.10	88046	\$ 7.10
Wall Mounting Bracket	12	35220	\$ 8.20	35960	\$ 10.00	35960	\$ 10.00
Piezo	13	80016	\$ 6.70	80016	\$ 6.70	80016	\$ 6.70
Electrode Wire 30"	14	88070	\$ 3.30	88070	\$ 3.30	88070	\$ 3.30
Pilot Tubing Assy.24"Nat.&L.P.	15	88013	\$ 5.50	88013	\$ 5.50	88013	\$ 5.50
Control Rod Grommet	16	88005	\$ 1.50	88005	\$ 1.50	88005	\$ 1.50
Casing Back	17	35425	\$ 22.60	35925	\$ 23.40	36425	\$ 30.20
Casing Left Side	18	35060	\$ 15.30	35060	\$ 15.30	35060	\$ 15.30
Casing Right Side	19	35070	\$ 15.30	35070	\$ 15.30	35070	\$ 15.30
Top Front Panel	20	35350	\$ 13.20	35850	\$ 14.80	36350	\$ 17.00
Bottom Front Panel	21	35360	\$ 12.50	35860	\$ 14.50	36360	\$ 16.20
Bezel Assembly	22	35380	\$ 54.60	35880	\$ 60.50	36380	\$ 68.10
Wire Guard	23	88101	\$ 27.00	88105	\$ 31.10	88104	\$ 39.10
Heat Shield	24	35460	\$ 3.40	35940	\$ 4.70	36440	\$ 5.40
Regulator Support Bracket	26	35480	\$ 4.70	35480	\$ 4.70	35480	\$ 4.70
Lighting Instruction Assembly	N/A	91373	\$ 3.30	91373	\$ 3.30	91373	\$ 3.30
* CURRENT ODS PILOT (88164 [NAT.] & 88165 [L.P.] RETRO FITS ALL PILOTS. YOU MAY OR MAY NOT NEED TO USE PART NO. 88053 3/16 COMPRESSION NUT W/FERRULE (PROVIDED).							
BLOWER PARTS VF-B							
Blower/Motor Assembly	30	N/A	N/A	88250	\$ 68.50	88250	\$ 68.50
Blower Housing	31	N/A	N/A	37025	\$ 15.20	37025	\$ 15.20
Fan Switch	32	N/A	N/A	88240	\$ 6.90	88240	\$ 6.90
Power Cord	33	N/A	N/A	80202	\$ 4.90	80202	\$ 4.90
Junction Box	N/A	N/A	N/A	37075	\$ 7.10	37075	\$ 7.10
Junction Box Cover	N/A	N/A	N/A	37085	\$ 9.10	37085	\$ 9.10
THE PARTS LISTED BELOW WERE USED ON HEATERS WITH SERIAL NUMBERS 0316---- THROUGH 0616---- (2003 through 2006). FOR THESE OLDER HEATERS, THE PARTS LISTED BELOW ARE NEEDED FOR REPLACEMENT.							
Valve, VT23100/18 (Copreci)	1	88179	\$ 103.00	88179	\$ 103.00	88179	\$ 103.00
Manifold	3	88041	\$ 26.60	88490	\$ 28.70	88491	\$ 41.30
Top Front Panel	20	35345	\$ 18.90	35855	\$ 21.90	36355	\$ 24.70
ATTN: CONTRACTORS AND SERVICE TECHNICIANS, we only sell parts through our wholesalers, but the prices listed above are for your convenience. For prompt parts service, contact the wholesaler from which you purchased your Cozy heater. NOTE: Parts & schematic drawings on <u>current models</u> are shown at www.cozyheaters.com .							