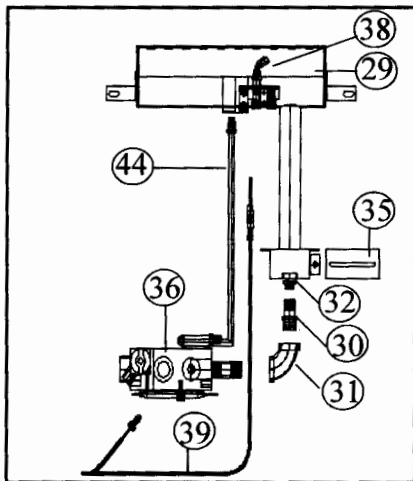
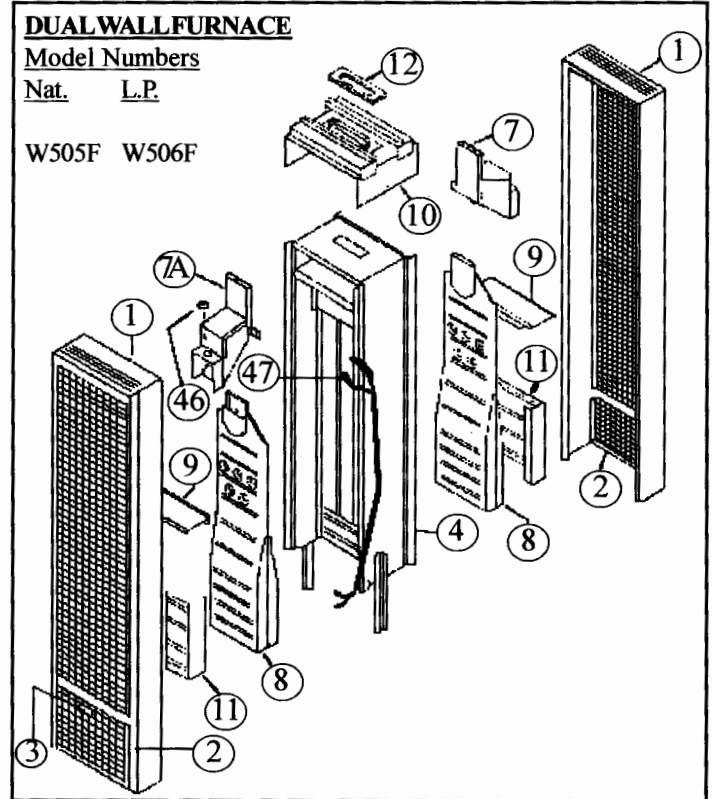
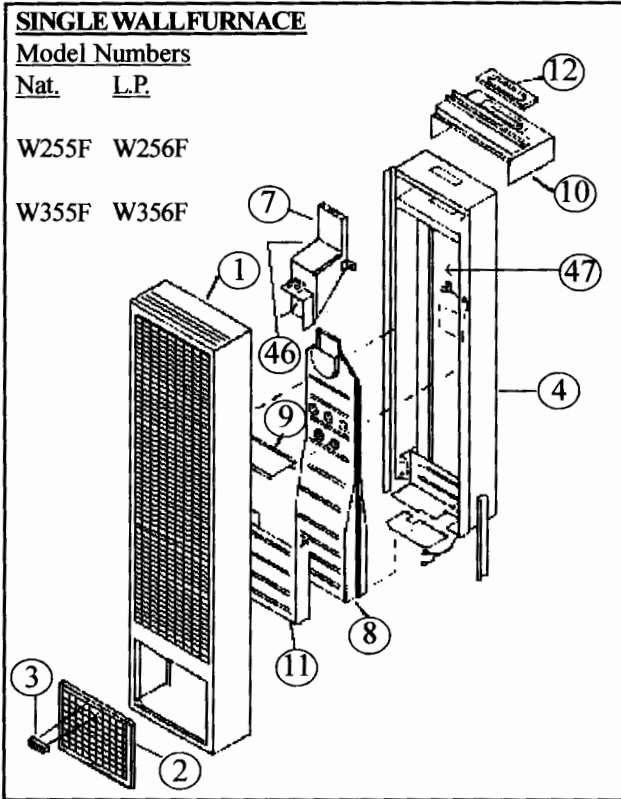


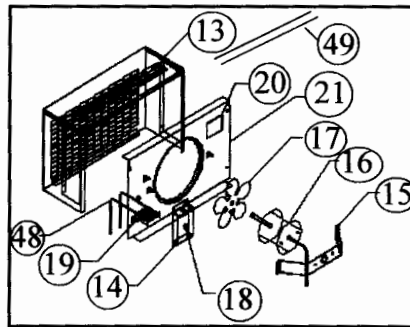


Prices and specifications subject to change without notice. All prices are F.O.B. factory.

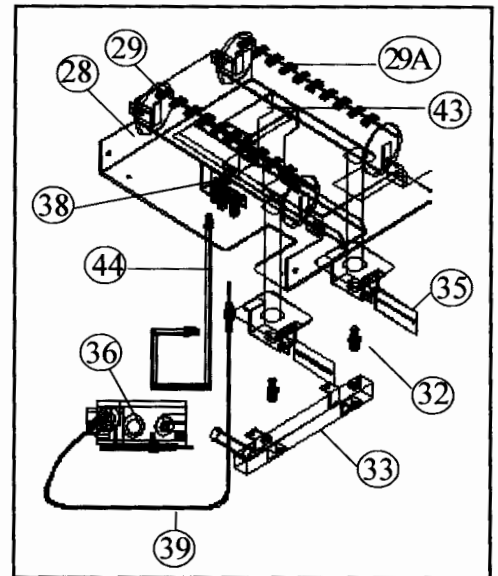
GRAVITY WALL FURNACE  
LIST PRICES -- MARCH 2007



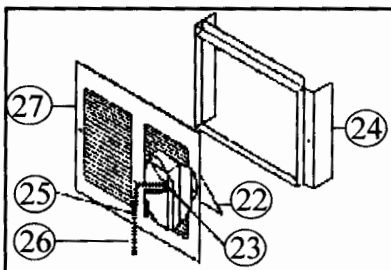
**BURNER ASSEMBLY / SINGLE WALL FURNACE**



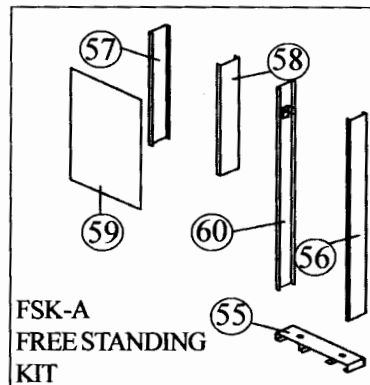
**WFF81-C FAN KIT** Used on Single and Dual Wall models



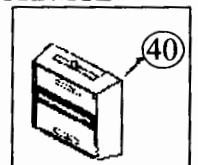
**BURNER ASSEMBLY / DUAL WALL FURNACE**



**REAR REGISTER KIT** - Used on Single Wall models only



**FSK-A FREE STANDING KIT**



**THERMOSTAT**

NOTICE: When ordering any component in the Burner Assembly, specify either Honeywell or Robertshaw components. REV. 06/2006

**HOW TO PROPERLY ORDER PARTS:** In addition to part description and part number, please give model number, serial number, and type of gas used. This information can be found on the rating plate that is attached to heater.

FRONT PANEL, DOOR & BODY ASSEMBLY								WFF81-C FAN KIT (Fits all Models)			
FOR MODELS		W25F		W35F		W50F		PART DESCRIPTION	REF. NO.	PART NO.	LIST PRICE
PART DESCRIPTION	REF. NO.	PART NO.	LIST PRICE	PART NO.	LIST PRICE	PART NO.	LIST PRICE				
Front Panel Assembly	1	40025	\$ 134.30	40025	\$ 134.30	*40025	\$ 134.30	Fan Cabinet	13	40304	\$ 36.80
Lower Door	2	40032	\$ 10.60	40032	\$ 10.60	*40032	\$ 10.60	Junction Box	14	40315	\$ 7.50
Handle Assembly	3	40033	\$ 4.80	40033	\$ 4.80	*40033	\$ 4.80	Motor Mounting Brk.	15	40313	\$ 4.50
Body Assembly	4	39805	\$ 173.70	39805	\$ 173.70	40103	\$ 200.30	Motor	16	85110	\$ 62.00
Draft Diverter Assembly	7	40042	\$ 41.10	40045	\$ 41.00	40141	\$ 37.70	Fan Blade	17	85115	\$ 8.90
Draft Diverter Assembly	7A	N/A	N/A	N/A	N/A	40140	\$ 38.30	Heyco Strain Relief	18	84155	\$ 1.30
Heat Exchanger	8	40260	\$ 142.50	40265	\$ 140.20	*40260	\$ 142.50	Fan Switch	19	84170	\$ 6.20
Upper Shield	9	40068	\$ 3.20	40068	\$ 3.20	*40068	\$ 3.20	Wiring Diagram (label)	20	91147	\$ 1.30
Header Assembly	10	40055	\$ 27.20	40055	\$ 27.20	40150	\$ 36.80	Fan Housing	21	40311	\$ 19.70
Lower Front Shield	11	40065	\$ 14.50	40065	\$ 14.50	*40065	\$ 14.50	Fan Switch Wire	48	*84171	\$ 1.80
Gasket Flue Pipe	12	78050	\$ 1.30	78050	\$ 1.30	78050	\$ 1.30	Wall Mtg. Bracket	49	40317	\$ 6.70
Blocked Flue Sw. 350 Deg.	46	84166	\$ 9.80	84166	\$ 9.80	84166	\$ 9.80	Installation Manual	N/A	84511	N/C
Wiring Harness/Wall	47	84133	\$ 9.80	84133	\$ 9.80	84133	\$ 9.80				
BURNER ASSY. PARTS FOR MODELS:		W255/ W256F W355/ W356F		W505F W506F				40542-A REAR REGISTER KIT (W25/35E & F SERIES ONLY)			
PART DESCRIPTION	REF. NO.	PART NO.	LIST PRICE	PART NO.	LIST PRICE	PART NO.	LIST PRICE	PART DESCRIPTION	REF. NO.	PART NO.	LIST PRICE
Burner, Support Assy.	28	N/A	N/A			40212	\$ 19.00	Damper	22	40375	\$ 2.60
Burner, Steel	29	84070	\$ 43.40			84070	\$ 43.40	Damper Spring	23	40377	\$ 2.10
Burner, Steel WITH Carry Over Tapping	29A	N/A	N/A			84071	\$ 56.70	Frame Assembly	24	40365	\$ 12.80
Burner Restrictor Plate for W506F#	N/A	N/A	N/A			#40220	\$2.30	Register Chain	25	40379	\$ 1.50
Orifice Coupling	30	84631	\$ 4.90			N/A	N/A	Bell, Pull	26	85003	\$ 1.30
Elbow 3/8 90 Degree	31	84124	\$ 2.20			N/A	N/A	Register Assembly	27	40355	\$ 20.40
Orifices	32	SEE ORIFICES						Installation Manual	N/A	84504	N/C
Manifold	33	N/A	N/A			84072	\$ 28.50	FSK-A FREE STANDING KIT (W25/W35 only)			
Pipe Nipple	N/A	84123	\$ 1.90			N/A	N/A	Floor Plate Assembly	55	40405	\$ 21.00
Pilot Tubing w/Fittings	44	74452	\$ 7.40			74452	\$ 7.40	Right Side Assembly	56	40410	\$ 32.20
Air Shutter	35	84078	\$ 4.30			*84078	\$ 4.30	Upper Left Side	57	40415	\$ 11.90
Valves	36	SEE VALVES						Upper Right Side	58	40416	\$ 11.90
Pilots	38	SEE PILOTS						Upper Front	59	40418	\$ 20.20
Pilot Generator	39	70098	\$ 33.90			70098	\$ 33.90	Left Side Assembly	60	40422	\$ 31.10
Thermostat	40	74592	\$ 21.00			74592	\$ 21.00				
Wire, Thermostat	41	74518	\$ 1.40			74518	\$ 1.40				
Carry Over Shield	43	N/A	N/A			40209	\$ 10.00				
Installation Instructions	N/A	84502	N/C			84502	N/C				
Lighting Instr., Wall	N/A	91253	N/C			91253	N/C				
VALVES (Ref. No. 36)						PILOTS (Ref. No. 38)		ORIFICES (Ref. No. 32)			
PART DESCRIPTION ROBERTSHAW	PART NO.	Part Desc. DEXEN	PART NO.	LIST PRICE	MODEL NO.	PART NO.	LIST PRICE	PART DESCRIPTION	PART NO.	LIST PRICE	
7000MVRLC Nat.	70090	6003 Nat.	84085	\$ 142.50	W255F	84128	\$ 10.30	Q350A1545 Nat.	84639	\$ 3.60	
7000MVRLC-L.P.	70091	6003 L.P.	84086	\$ 151.70	W256F	84127	\$ 10.30	Q350A1867 L.P.	84634	\$ 3.60	
7000MVRLC Nat.	70090	6003 Nat.	84085	\$ 142.50	W355F	84128	\$ 10.30	Q350A1545 Nat.	84642	\$ 3.60	
7000MVRLC-L.P.	70091	6003 L.P.	84086	\$ 151.70	W356F	84127	\$ 10.30	Q350A1867 L.P.	84644	\$ 3.60	
7000MVRLC Nat.	70090	6003 Nat.	84085	\$ 142.50	W505F	84128	\$ 10.30	Q350A1545 Nat.	*95274	\$ 3.60	
7000MVRLC-L.P.	70091	6003 L.P.	84086	\$ 151.70	W506F	84127	\$ 10.30	Q350A1867 L.P.	*84648	\$ 3.60	

**Mr. Contractor,** we only sell parts through our wholesalers, but the prices listed above are for your convenience. For prompt parts service, contact the wholesaler from which you purchased your Cozy heater. **NOTE:** Parts & schematic drawings on current models are shown at [www.cozyheaters.com](http://www.cozyheaters.com).

\*TWO REQUIRED

MARCH 2007  
REVISED 06/2006