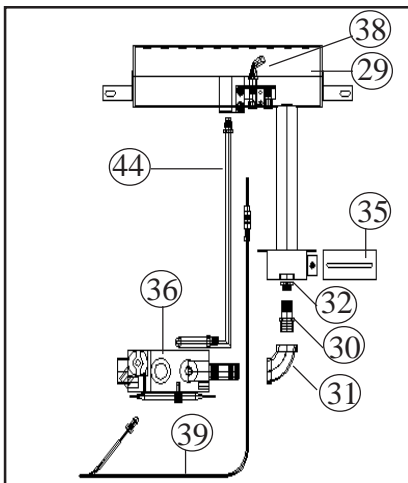
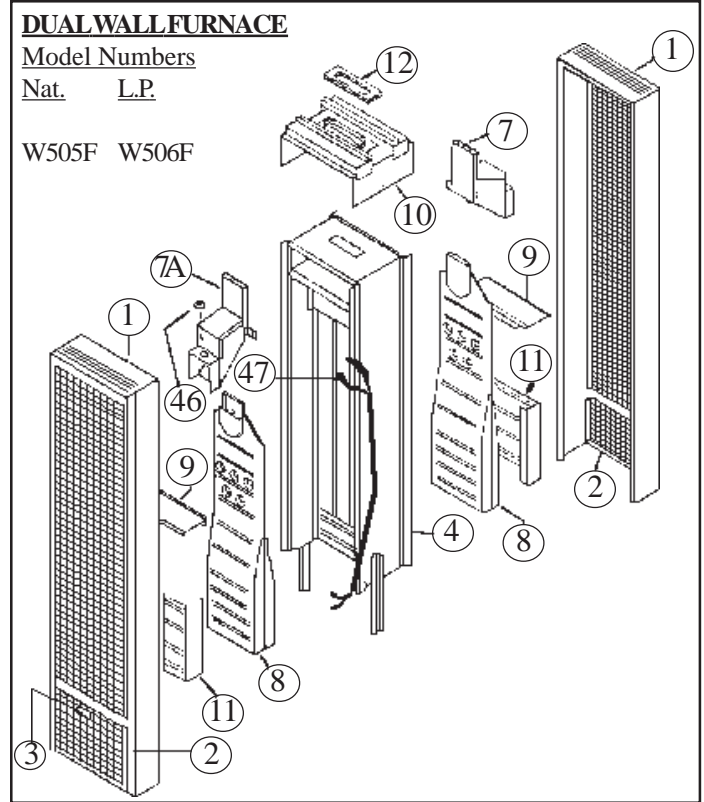
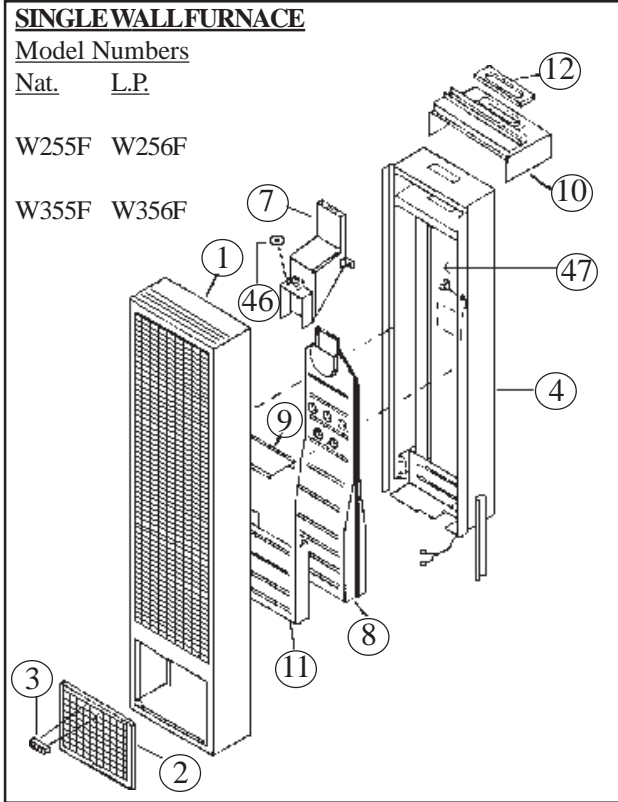


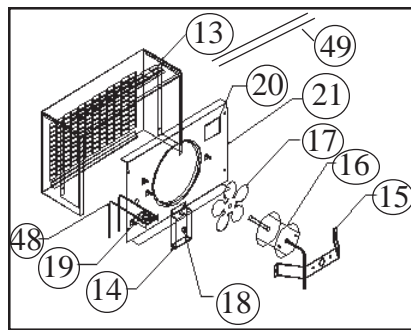


Prices and specifications subject to change without notice. All prices are F.O.B. factory.

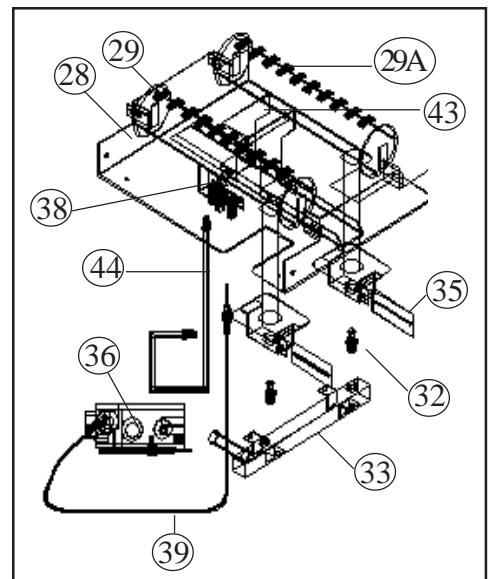
GRAVITY WALL FURNACE
LIST PRICES -- SEPTEMBER 2009



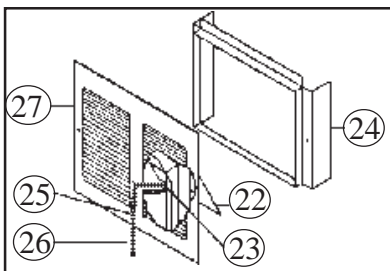
**BURNER ASSEMBLY/
SINGLE WALL FURNACE**



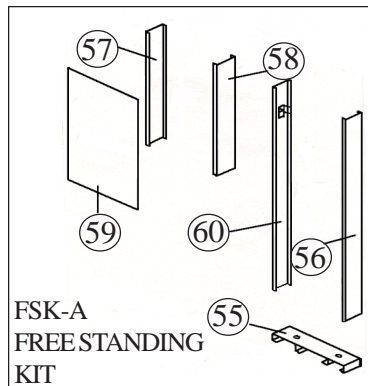
WFF81-C FAN KIT Used on Single and Dual Wall models



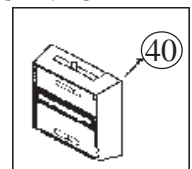
**BURNER ASSEMBLY/
DUAL WALL FURNACE**



REAR REGISTER KIT - Used on Single Wall models only



**FSK-A
FREE STANDING
KIT**



THERMOSTAT

NOTICE: When ordering any component in the Burner Assembly, specify either Honeywell or Robertshaw components. REV.06/2006

HOW TO PROPERLY ORDER PARTS: In addition to part description and part number, please give model number, serial number, and type of gas used. This information can be found on the rating plate that is attached to heater.

FRONT PANEL, DOOR & BODY ASSEMBLY								WFF81-C FAN KIT			
FOR MODELS		W25F		W35F		W50F		(Fits all Models)			
PART DESCRIPTION	REF. NO.	PART NO.	LIST PRICE	PART NO.	LIST PRICE	PART NO.	LIST PRICE	PART DESCRIPTION	REF. NO.	PART NO.	LIST PRICE
Front Panel Assembly	1	40025	\$ 149.50	40025	\$ 149.50	*40025	\$ 149.50	Fan Cabinet	13	40304	\$ 41.00
Lower Door	2	40032	\$ 11.80	40032	\$ 11.80	*40032	\$ 11.80	Junction Box	14	40315	\$ 8.40
Handle Assembly	3	40033	\$ 5.40	40033	\$ 5.40	*40033	\$ 5.40	Motor Mounting Brk.	15	40313	\$ 5.00
Body Assembly	4	39805	\$ 193.30	39805	\$ 193.30	40103	\$ 222.90	Motor	16	85110	\$ 69.00
Draft Diverter Assembly	7	40042	\$ 45.80	40045	\$ 45.70	40141	\$ 42.00	Fan Blade	17	85115	\$ 9.90
Draft Diverter Assembly	7A	N/A	N/A	N/A	N/A	40140	\$ 42.60	Heyco Strain Relief	18	84155	\$ 1.50
Heat Exchanger	8	40260	\$ 158.70	40265	\$ 156.00	*40260	\$ 158.70	Fan Switch	19	84170	\$ 6.90
Upper Shield	9	40068	\$ 3.60	40068	\$ 3.60	*40068	\$ 3.60	Wiring Diagram (label)	20	91147	\$ 1.50
Header Assembly	10	40055	\$ 30.20	40055	\$ 30.20	40150	\$ 41.00	Fan Housing	21	40311	\$ 21.90
Lower Front Shield	11	40065	\$ 16.20	40065	\$ 16.20	*40065	\$ 16.20	Fan Switch Wire	48	*84171	\$ 2.00
Gasket Flue Pipe	12	78050	\$ 1.50	78050	\$ 1.50	78050	\$ 1.50	Wall Mtg. Bracket	49	40317	\$ 7.50
Blocked Flue Sw. 350 Deg	46	84166	\$ 10.90	84166	\$ 10.90	84166	\$ 10.90	Installation Manual	N/A	84511	N/C
Wiring Harness/Wall	47	84133	\$ 10.90	84133	\$ 10.90	84133	\$ 10.90				
BURNER ASSY. PARTS		W255/ W256F		W505F		W505F		40542-A REAR REGISTER KIT			
FOR MODELS:		W355/ W356F		W506F		W506F		(W25/35E & F SERIES ONLY)			
PART DESCRIPTION	REF. NO.	PART NO.	LIST PRICE	PART NO.	LIST PRICE	PART NO.	LIST PRICE	PART DESCRIPTION	REF. NO.	PART NO.	LIST PRICE
Burner, Support Assy.	28	N/A	N/A			40212	\$ 21.10	Damper	22	40375	\$ 2.90
Burner, Steel	29	84070	\$ 48.30			84070	\$ 48.30	Damper Spring	23	40377	\$ 2.30
Burner, Steel WITH Carry Over Tapping	29A	N/A	N/A			84071	\$ 63.10	Frame Assembly	24	40365	\$ 14.30
Burner Restrictor Plate for W506F#	N/A	N/A	N/A			#40220	\$2.50	Register Chain	25	40379	\$ 1.70
Orifice Coupling	30	84631	\$ 5.50			N/A	N/A	Bell, Pull	26	85003	\$ 1.50
Elbow 3/8 90 Degree	31	84124	\$ 2.40			N/A	N/A	Register Assembly	27	40355	\$ 22.70
Orifices	32	SEE ORIFICES						Installation Manual	N/A	84504	N/C
Manifold	33	N/A	N/A			84072	\$ 31.70	FSK-A			
Pipe Nipple	N/A	84123	\$ 2.10			N/A	N/A	FREE STANDING KIT (W25/W35 only)			
Pilot Tubing w/Fittings	44	74452	\$ 8.20			74452	\$ 8.20	Floor Plate Assembly	55	40405	\$ 23.40
Air Shutter	35	84078	\$ 4.80			*84078	\$ 4.80	Right Side Assembly	56	40410	\$ 35.80
Valves	36	SEE VALVES						Upper Left Side	57	40415	\$ 13.20
Pilots	38	SEE PILOTS						Upper Right Side	58	40416	\$ 13.20
Pilot Generator	39	70098	\$ 37.70			70098	\$ 37.70	Upper Front	59	40418	\$ 22.50
Thermostat	40	74592	\$ 23.40			74592	\$ 23.40	Left Side Assembly	60	40422	\$ 34.70
Wire, Thermostat	41	74518	\$ 1.60			74518	\$ 1.60				
Carry Over Shield	43	N/A	N/A			40209	\$ 11.10				
Installation Instructions	N/A	84502	N/C			84502	N/C				
Lighting Instr., Wall	N/A	91253	N/C			91253	N/C				
		VALVES (Ref. No. 36)		PILOTS (Ref. No. 38)		ORIFICES (Ref. No. 32)					
PART DESCRIPTION	PART NO.	Part Desc.	PART NO.	LIST PRICE	MODEL NO.	PART NO.	LIST PRICE	PART DESCRIPTION	PART NO.	LIST PRICE	
ROBERTSHAW		DEXEN									
7000MVRLC Nat.	70090	6003 Nat.	84085	\$ 158.70	W255F	84128	\$ 11.40	Q350A1545 Nat.	84639	\$ 4.00	
7000MVRLC-L.P.	70091	6003 L.P.	84086	\$ 168.80	W256F	84127	\$ 11.40	Q350A1867 L.P.	84634	\$ 4.00	
7000MVRLC Nat.	70090	6003 Nat.	84085	\$ 158.70	W355F	84128	\$ 11.40	Q350A1545 Nat.	84642	\$ 4.00	
7000MVRLC-L.P.	70091	6003 L.P.	84086	\$ 168.80	W356F	84127	\$ 11.40	Q350A1867 L.P.	84644	\$ 4.00	
7000MVRLC Nat.	70090	6003 Nat.	84085	\$ 158.70	W505F	84128	\$ 11.40	Q350A1545 Nat.	*95274	\$ 4.00	
7000MVRLC-L.P.	70091	6003 L.P.	84086	\$ 168.80	W506F	84127	\$ 11.40	Q350A1867 L.P.	*84648	\$ 4.00	

ATTN: CONTRACTORS AND SERVICE TECHNICIANS, we only sell parts through our wholesalers, but the prices listed above are for your convenience. For prompt parts service, contact the wholesaler from which you purchased your Cozy heater. **NOTE:** Parts & schematic drawings on current models are shown at www.cozyheaters.com.