

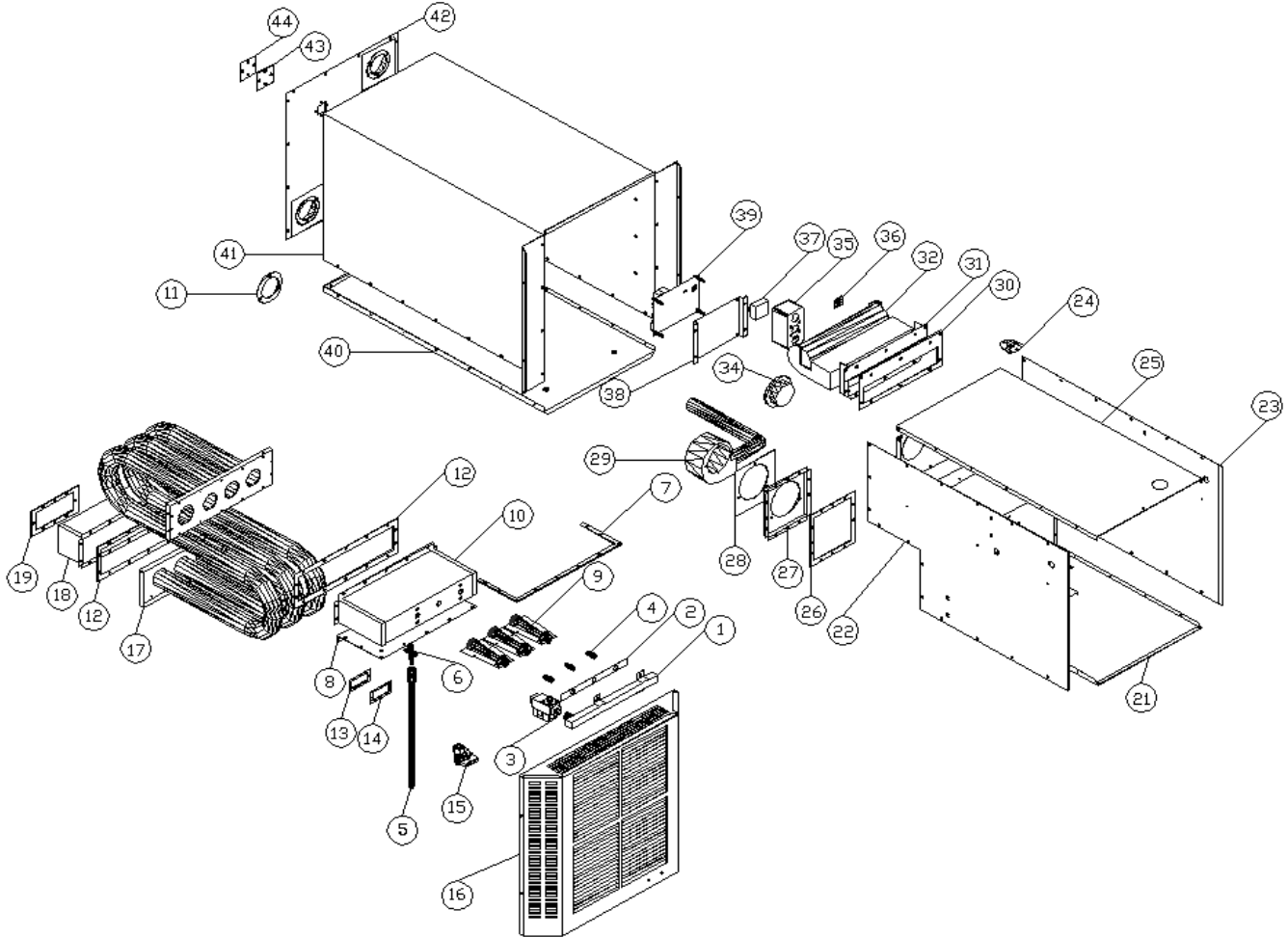
MODEL NUMBERS

NAT. GAS L.P. GAS

WOW253 WOW254

**FAN-TYPE, DIRECT-VENT
THROUGH-THE-WALL GAS HEATER**

Prices and specifications subject to change without notice. All prices are F.O.B. factory.



**WOW253/
WOW254**

ATTN: CONTRACTORS AND SERVICE TECHNICIANS, we only sell parts through our wholesalers, but the prices listed are for your convenience. For prompt parts service, contact the wholesaler from which you purchased your Cozy heater.
NOTE: Parts prices & schematic drawings on current models are shown at www.cozyheaters.com.

HOW TO PROPERLY ORDER PARTS: In addition to part description and part number, please give model number, serial number, and type of gas used. This information can be found on the rating plate located inside the cabinet cover.

MODEL NUMBER	NAT.	WOW253	
MODEL NUMBER	L.P.	WOW254	
PART DESCRIPTION	REF. NO.	PART NO.	LIST PRICE
Manifold	1	64501	\$ 80.40
Manifold Gasket - 3/4X10-7/8"	2	64665	\$ 2.30
Gas Valve, Natural Gas	3	64590	\$ 85.20
Gas Valve, L.P. Gas	3	64591	\$ 85.20
Burner Orifice, Natural Gas	4	64509**	\$ 4.00
Burner Orifice, L.P. Gas	4	64508**	\$ 4.00
Ignitor Cable 32"	5	64211	\$ 20.20
Ignitor	6	64009	\$ 26.10
Burner Box Bottom	7	20270	\$ 5.00
Burner Box Bottom Gasket - 12-1/8X5-1/2"	8	64662	\$ 10.10
Burner	9	64515**	\$ 8.70
Burner Box (No Burners)	10	20240	\$ 56.00
Inlet/Outlet Flange Gasket - 3-1/4" Circle	11	64655***	\$ 2.20
Burner/Collection Box Gasket - 16x4"	12	64652	\$ 8.50
Sight Glass Gasket - 7/8x2-1/2"	13	64664	\$ 1.90
Sight Glass Assembly	14	20275	\$ 9.10
Manual Shutoff Valve	15	64074	\$ 16.90
Front Panel Assembly	16	20020	\$ 45.30
Heat Exchanger	17	64503	\$ 258.20
Collection Box	18	20185	\$ 49.80
Liner/Collection Box Gasket - 3x6"	19	64660	\$ 3.30
Liner, Left Side Extension	20	N/A	N/A
Liner, Base Assembly	21	20100	\$ 37.40
Liner, Left Side Assembly	22	20125	\$ 28.00
Liner, Right Side Assembly	23	20115	\$ 28.00
Limit Switch	24	64517	\$ 9.70
Liner, Top Assembly	25	20085	\$ 23.60
Draft Inducer Mounting Plate Gasket - 5-3/4x6"	26	64653	\$ 4.40
Draft Inducer Mounting Plate	27	20170	\$ 24.40
Draft Inducer Gasket - 5-1/4x5"	28	64654	\$ 4.20
Draft Inducer	29	64511	\$ 227.00
Circulating Blower Gasket - 4x10-1/2"	30	64658	\$ 2.40
Circulating Blower Mounting Bracket Assy.	31	20150	\$ 7.60
Circulating Blower	32	64531	\$ 227.00
Pressure Switch Mounting Bracket	33	N/A	N/A
Pressure Switch	34	64594	\$ 23.70
Junction Box	35	78059	\$ 4.90
Terminal Board	36	64596	\$ 4.20
Transformer	37	78069	\$ 27.50
Circuit Board Mounting Bracket	38	20175	\$ 4.80
Circuit Board	39	64625	\$ 249.00
Casing Base	40	20075	\$ 25.90
Casing Wrapper	41	20070	\$ 68.50
Casing Back Assembly	42	20045	\$ 44.50
Back Cover Plate Gasket - 2x2"	43	64659	\$ 1.30
Back Cover Plate	44	20060	\$ 4.90
Caulking, Rope	N/A	70151	\$ 2.80
9' Power Cord	N/A	64205	\$ 6.60
Weatherstripping	N/A	64657	\$ 5.00
Wiring Harness	N/A	64669	\$ 17.70
20' Thermostat Wire	N/A	74518	\$ 1.60
Thermostat 24V	N/A	78355	\$ 23.40
Mounting Support Brackets (Set of 2)	N/A	20355	\$ 28.10
Window Enclosure Panels Set/2	N/A	20360	\$ 20.30
Valve Shield Assembly	N/A	20310	\$ 15.30

ATTN: CONTRACTORS AND SERVICE TECHNICIANS, we only sell parts through our wholesalers, but the prices listed above are for your convenience. For prompt parts service, contact the wholesaler from which you purchased your Cozy heater. NOTE: Parts & schematic drawings on current models are shown at www.cozyheaters.com.

* REQUIRES 5

/

** REQUIRES 3 /

*** REQUIRES 2

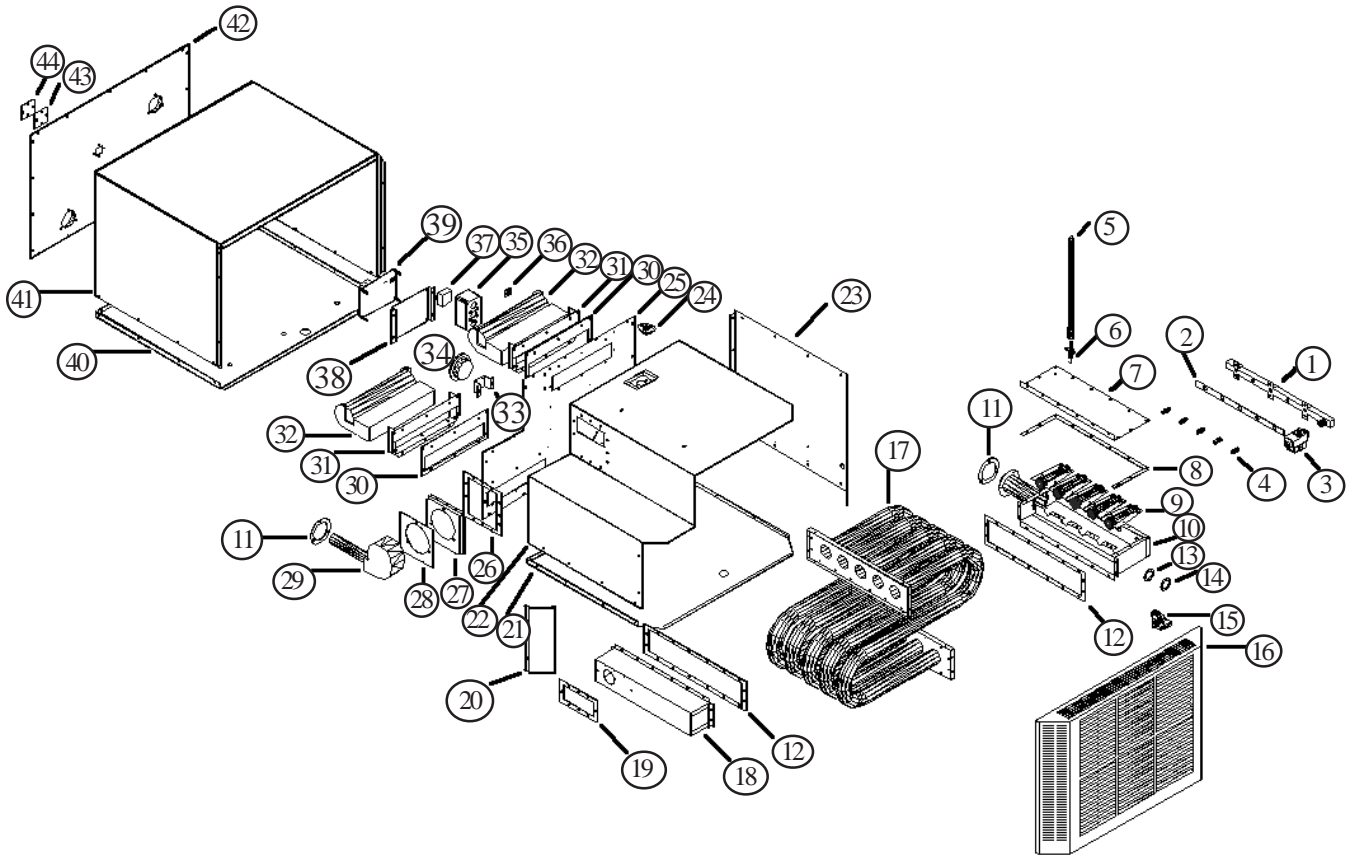
MODEL NUMBERS

NAT. GAS L.P. GAS

WOW403 WOW404

**FAN-TYPE, DIRECT-VENT
THROUGH-THE-WALL GAS HEATER**

Prices and specifications subject to change without notice. All prices are F.O.B. factory.



**WOW403/
WOW404**

ATTN: CONTRACTORS AND SERVICE TECHNICIANS, we only sell parts through our wholesalers, but the prices listed are for your convenience. For prompt parts service, contact the wholesaler from which you purchased your Cozy heater.

NOTE: Parts prices & schematic drawings on current models are shown at www.cozyheaters.com.

HOW TO PROPERLY ORDER PARTS: In addition to part description and part number, please give model number, serial number, and type of gas used. This information can be found on the rating plate located inside the cabinet cover.

MODEL NUMBER	NAT.	WOW403	
MODEL NUMBER	L.P.	WOW404	
PART DESCRIPTION	REF. NO.	PART NO.	LIST PRICE
Manifold	1	64500	\$ 78.10
Manifold Gasket - 3/4x14"	2	64656	\$ 1.90
Gas Valve, Natural Gas	3	64590	\$ 85.20
Gas Valve, L.P. Gas	3	64591	\$ 85.20
Burner Orifice, Natural Gas	4	64505*	\$ 4.00
Burner Orifice, L.P. Gas	4	64507*	\$ 4.00
Ignitor Cable 18"	5	64210	\$ 19.50
Ignitor	6	64009	\$ 26.10
Burner Box Top	7	20770	\$ 5.60
Burner Box Top Gasket - 12x5-1/2"	8	64651	\$ 10.90
Burner	9	64515*	\$ 8.70
Burner Box (No Burners)	10	20740	\$ 85.60
Inlet/Outlet Flange Gasket - 3-1/4" Circle	11	64655***	\$ 2.20
Burner/Collection Box Gasket - 16x4"	12	64652**	\$ 8.50
Sight Glass Gasket - 1-5/8" Circle	13	64661	\$ 1.60
Sight Glass Assembly	14	20775	\$ 6.70
Manual Shutoff Valve	15	64074	\$ 16.90
Front Panel Assembly	16	20520	\$ 67.30
Heat Exchanger	17	20710	\$ 300.40
Collection Box	18	20685	\$ 45.30
Liner/Collection Box Gasket - 3x6"	19	64660	\$ 3.30
Liner, Left Side Extension	20	20605	\$ 3.60
Liner, Base Assembly	21	20610	\$ 34.10
Liner, Body Assembly	22	20585	\$ 65.60
Liner, Right Side Assembly	23	20640	\$ 25.80
Limit Switch	24	80097	\$ 10.90
Liner, Rear	25	20630	\$ 19.10
Draft Inducer Mounting Plate Gasket - 5-3/4x6"	26	64653	\$ 4.40
Draft Inducer Mounting Plate	27	20170	\$ 24.40
Draft Inducer Gasket - 5-1/4x5"	28	64654	\$ 4.20
Draft Inducer	29	64510	\$ 205.70
Circulating Blower Gasket - 4x10-1/2"	30	64658	\$ 2.40
Circulating Blower Mounting Bracket Assy.	31	20150	\$ 7.60
Circulating Blower	32	64530***	\$ 149.60
Pressure Switch Mounting Bracket	33	20800	\$ 3.00
Pressure Switch	34	64595	\$ 24.90
Junction Box	35	78059	\$ 4.90
Terminal Board	36	64596	\$ 4.20
Transformer	37	78069	\$ 27.50
Circuit Board Mounting Bracket	38	20175	\$ 4.80
Circuit Board	39	64625	\$ 249.00
Casing Base	40	20575	\$ 31.80
Casing Wrapper	41	20570	\$ 76.10
Casing Back Assembly	42	20545	\$ 48.20
Back Cover Plate Gasket - 2x2"	43	64659	\$ 1.30
Back Cover Plate	44	20060	\$ 4.90
Caulking, Rope	N/A	70151	\$ 2.80
9' Power Cord	N/A	64205	\$ 6.60
Weatherstripping	N/A	64657	\$ 5.00
Wiring Harness	N/A	64670	\$ 13.70
20' Thermostat Wire	N/A	74518	\$ 1.60
Thermostat 24V	N/A	78355	\$ 23.40
Mounting Support Brackets (Set of 2)	N/A	20855	\$ 23.00
Window Enclosure Panels (Set of 2)	N/A	20360	\$ 20.30
Valve Shield Assembly	N/A	20810	\$ 16.30

ATTN: CONTRACTORS AND SERVICE TECHNICIANS, we only sell parts through our wholesalers, but the prices listed above are for your convenience. For prompt parts service, contact the wholesaler from which you purchased your Cozy heater. NOTE: Parts & schematic drawings on current models are shown at www.cozyheaters.com.

* REQUIRES 5 / ** REQUIRES 3 / *** REQUIRES 2

REPLACEMENT WIRING

FOR

WOW253, WOW254, WOW403, AND WOW404

MODEL NUMBER	NAT.	WOW253		WOW403	
MODEL NUMBER	L.P.	WOW254		WOW404	
PART DESCRIPTION	REF. NO.	PART NO.	LIST PRICE	PART NO.	LIST PRICE
30" Black Inducer Wire	N/A	N/A	N/A	64667	\$ 1.60
12" Black Inducer Wire	N/A	N/A	N/A	64668	\$ 1.40
6" Brown wire - circuit board to blower #1	N/A	N/A	N/A	64671	\$ 1.40
16" Black wire - terminal board to blower #1	N/A	N/A	N/A	64672	\$ 1.50
24" Grey wire - circuit board to blower #2	N/A	64674	\$ 1.60	64674	\$ 1.60
14" Black/White Stripe - terminal board to blower #2	N/A	N/A	N/A	64675	\$ 1.60
10" Green wire - circuit board to transformer to ground	N/A	64676	\$ 2.50	64676	\$ 2.50
10" Black wire - transformer to circuit board	N/A	64677	\$ 1.60	64677	\$ 1.60
3" Green wire - terminal board to ground	N/A	78223	\$ 1.20	78223	\$ 1.20
48" Red thermostat wire	N/A	64678	\$ 1.60	64678	\$ 1.60
48" White thermostat wire	N/A	64679	\$ 1.60	64679	\$ 1.60
20" White wire - terminal board to circuit board	N/A	N/A	N/A	64680	\$ 2.30
12" Black Wire - terminal board to blower	N/A	64668	\$ 1.40	N/A	N/A
14" Black/White Stripe - circuit board to terminal board	N/A	64675	\$ 1.60	N/A	N/A

ATTN: CONTRACTORS AND SERVICE TECHNICIANS, we only sell parts through our wholesalers, but the prices listed above are for your convenience. For prompt parts service, contact the wholesaler from which you purchased your Cozy heater. **NOTE:** Parts prices & schematic drawings on current models are shown at www.cozyheaters.com.