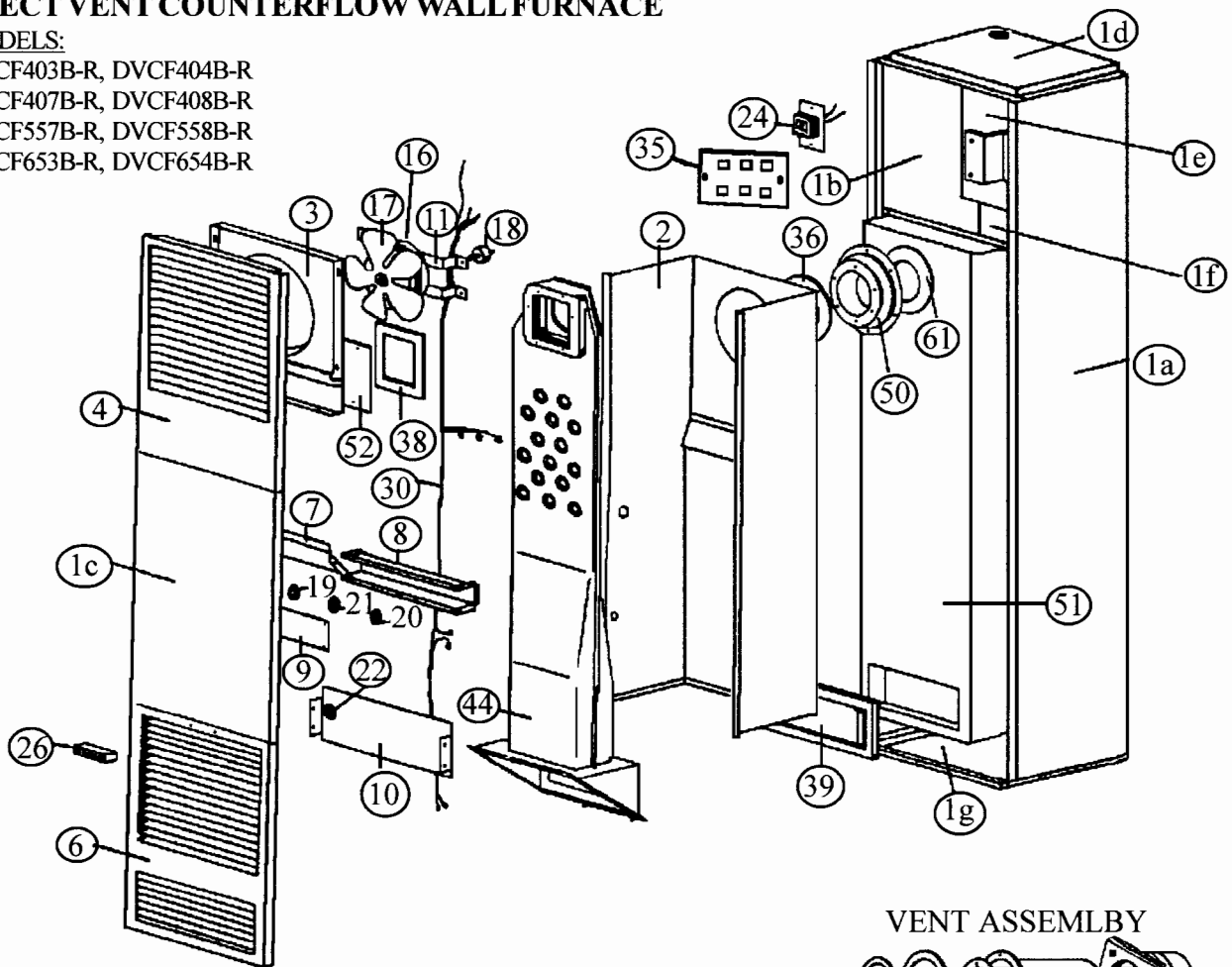


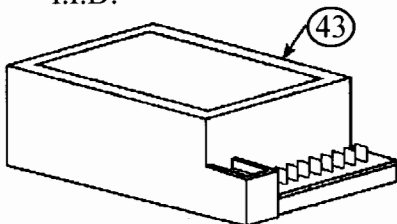
DIRECT VENT COUNTERFLOW WALL FURNACE

MODELS:

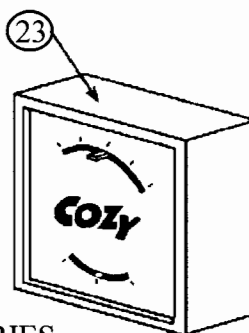
DVCF403B-R, DVCF404B-R
 DVCF407B-R, DVCF408B-R
 DVCF557B-R, DVCF558B-R
 DVCF653B-R, DVCF654B-R



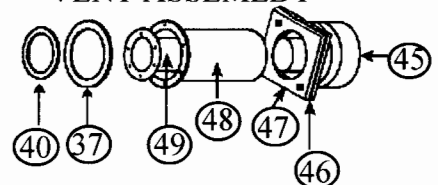
SPARK IGNITER -
I.I.D.



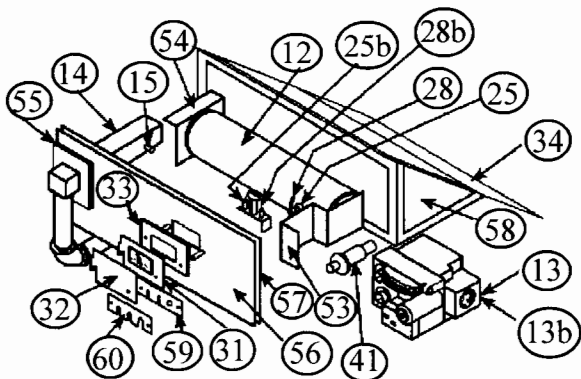
THERMOSTAT



VENT ASSEMBLY



BURNER ASSEMBLY
 DVCF40B-R, DVCF55B-R, DVCF65B-R SERIES



Prices and specifications subject to change without notice.
 All prices are F.O.B. factory.

Mr. Contractor, we only sell parts through our wholesalers, but the prices listed are for your convenience. For prompt parts service, contact the wholesaler from which you purchased your Cozy heater. **NOTE:** Parts & schematic drawings on current models are shown at www.cozyheaters.com.

HOW TO PROPERLY ORDER PARTS

In addition to part description and part number, please give model number, serial number, and type of gas used.

MODEL NUMBER	NAT.	DVCF403B-R		DVCF407B-R		DVCF557B-R		DVCF653B-R	
	L.P.	DVCF404B-R		DVCF408B-R		DVCF558B-R		DVCF654B-R	
PART DESCRIPTION	REF. NO.	PART NO.	LIST PRICE	PART NO.	LIST PRICE	PART NO.	LIST PRICE	PART NO.	LIST PRICE
Casing Side, Right	1a	34065	\$ 62.40	34065	\$ 62.40	34560	\$ 68.30	34560	\$ 68.30
Casing Side, Left	1b	34055	\$ 62.40	34055	\$ 62.40	34550	\$ 68.30	34550	\$ 68.30
Center Front Panel Assembly	1c	34104	\$ 31.00	34104	\$ 31.00	30534	\$ 32.00	30534	\$ 32.00
Top Assembly	1d	34050	\$ 11.80	34050	\$ 11.80	34050	\$ 11.80	34050	\$ 11.80
Upper Back Assembly	1e	34080	\$ 47.60	34080	\$ 47.60	34080	\$ 47.60	34080	\$ 47.60
Lower Back Assembly	1f	34090	\$ 40.70	34090	\$ 40.70	34575	\$ 44.90	34575	\$ 44.90
Bottom Assembly	1g	34070	\$ 17.90	34070	\$ 17.90	34070	\$ 17.90	34070	\$ 17.90
Casing Mounting Brackets	N/A	*30260	\$ 1.40	*30260	\$ 1.40	*30260	\$ 1.40	*30260	\$ 1.40
Liner Assembly	2	34115	\$ 90.50	34115	\$ 90.50	34600	\$ 97.50	34600	\$ 97.50
Fan Shroud Assembly	3	34140	\$ 26.50	34140	\$ 26.50	34140	\$ 26.50	34140	\$ 26.50
Top Louver	4	34100	\$ 18.10	34100	\$ 18.10	34590	\$ 19.70	34590	\$ 19.70
Bottom Louver Assembly	6	30100	\$ 35.20	30100	\$ 35.20	30100	\$ 35.20	30100	\$ 35.20
Upper Front Shield	7	30250	\$ 3.90	30250	\$ 3.90	30250	\$ 3.90	30250	\$ 3.90
Switch Box	8	30252	\$ 8.00	30252	\$ 8.00	30450	\$ 8.10	30450	\$ 8.10
Switch Box Cover	9	30253	\$ 3.10	30253	\$ 3.10	30253	\$ 3.10	30253	\$ 3.10
Lower Front Shield	10	30256	\$ 5.70	30256	\$ 5.70	30256	\$ 5.70	30256	\$ 5.70
Motor Mounting Bracket	11	*34088	\$ 4.00	*34088	\$ 4.00	*34579	\$ 2.30	*34579	\$ 2.30
Burner	12	72107	\$ 42.50	72107	\$ 42.50	72107	\$ 42.50	72107	\$ 42.50
Pilot Bracket	53	34440	\$ 4.50	34440	\$ 4.50	34440	\$ 4.50	34440	\$ 4.50
Valve, 7200ER, Natural Gas	13	72090	\$ 153.50	N/A	N/A	N/A	N/A	72090	\$ 153.50
Valve, 7200ER, L.P. Gas	13	72091	\$ 153.50	N/A	N/A	N/A	N/A	72091	\$ 153.50
Valve, 7200IPER, Natural Gas	13b	N/A	N/A	72092	\$ 143.60	72092	\$ 143.60	N/A	N/A
Valve, 7200IPER, L.P. Gas	13b	N/A	N/A	72093	\$ 143.60	72093	\$ 143.60	N/A	N/A
Manifold	14	72103	\$ 21.30	72103	\$ 21.30	72103	\$ 21.30	72103	\$ 21.30
Burner Orifice, Natural Gas	15	72147	\$ 3.80	72147	\$ 3.80	72140	\$ 3.80	72142	\$ 3.80
Burner Orifice, L.P. Gas	15	72149	\$ 3.80	72149	\$ 3.80	72141	\$ 3.80	72143	\$ 3.80
Fan Motor	16	72108	\$ 82.30	72108	\$ 82.30	72110	\$ 93.40	72110	\$ 93.40
Fan Blade	17	78101	\$ 26.90	78101	\$ 26.90	78101	\$ 26.90	78101	\$ 26.90
Rubber Grommet	18	78010	\$ 3.40	78010	\$ 3.40	78010	\$ 3.40	78010	\$ 3.40
Limit Switch 60T11-L220F	19	N/A	N/A	N/A	N/A	72160	\$ 6.60	72160	\$ 6.60
Limit Switch 60T11-L180F	19	78065	\$ 6.60	78065	\$ 6.60	N/A	N/A	N/A	N/A
Fan Switch 60T12-120-15 Deg. F	20	78067	\$ 6.80	78067	\$ 6.80	78067	\$ 6.80	78067	\$ 6.80
Speed Switch 60T13-F160-30	21	N/A	N/A	N/A	N/A	78066	\$ 9.90	78066	\$ 9.90
Aux. Limit Switch 60T15-L350	22	78086	\$ 10.40	78086	\$ 10.40	78086	\$ 10.40	78086	\$ 10.40
Thermostat 24 Volt	23	78355	\$ 22.30	78355	\$ 22.30	78355	\$ 22.30	78355	\$ 22.30
Transformer	24	78069	\$ 26.20	78069	\$ 26.20	78069	\$ 26.20	78069	\$ 26.20
Transformer Plate	N/A	34089	\$ 4.20	34089	\$ 4.20	34089	\$ 4.20	34089	\$ 4.20
Terminal Board	35	78300	\$ 5.60	78300	\$ 5.60	78300	\$ 5.60	78300	\$ 5.60
Pilot 0.140.512, Natural Gas	25	72020	\$ 25.20	N/A	N/A	N/A	N/A	72020	\$ 25.20
Pilot 0.140.502, L.P. Gas	25	72021	\$ 25.20	N/A	N/A	N/A	N/A	72021	\$ 25.20
Cozy Handle	26	84003	\$ 2.50	84003	\$ 2.50	84003	\$ 2.50	84003	\$ 2.50
Thermostat Wire	27	74518	\$ 1.50	74518	\$ 1.50	74518	\$ 1.50	74518	\$ 1.50
Thermocouple Q309A1954	28	78095	\$ 12.70	N/A	N/A	N/A	N/A	78095	\$ 12.70
Insulated Staples	29	74209	\$ 1.40	74209	\$ 1.40	74209	\$ 1.40	74209	\$ 1.40
Pilot 3S-24F, Natural Gas	25b	N/A	N/A	72098	\$ 41.60	72098	\$ 41.60	N/A	N/A
Pilot 3S-24F, L.P. Gas	25b	N/A	N/A	72097	\$ 37.50	72097	\$ 37.50	N/A	N/A
Wiring Harness	30	72251	\$ 20.90	72251	\$ 20.90	72250	\$ 23.50	72250	\$ 23.50
Flame Sensor S-1	28b	N/A	N/A	72025	\$ 15.70	72025	\$ 15.70	N/A	N/A

Mr. Contractor, we only sell parts through our wholesalers, but the prices listed above are for your convenience. For prompt parts service, contact the wholesaler from which you purchased your Cozy heater. **NOTE:** Parts & schematic drawings on current models are shown at www.cozyheaters.com.

PARTS LIST CONTINUED

MARCH 2009

HOW TO PROPERLY ORDER PARTS

In addition to part description and part number, please give model number, serial number, and type of gas used.

MODEL NUMBER	NAT.	DVCF403B-R		DVCF407B-R		DVCF557B-R		DVCF653B-R	
	L.P.	DVCF404B-R		DVCF408B-R		DVCF558B-R		DVCF654B-R	
PART DESCRIPTION	REF. NO.	PART NO.	LIST PRICE	PART NO.	LIST PRICE	PART NO.	LIST PRICE	PART NO.	LIST PRICE
Power Cord	NA	78213	\$ 5.20	78213	\$ 5.20	78213	\$ 5.20	78213	\$ 5.20
Sight Glass Assembly	31	43252	\$ 7.20	43252	\$ 7.20	43252	\$ 7.20	43252	\$ 7.20
Sight Glass Cover	32	43258	\$ 1.70	43258	\$ 1.70	43258	\$ 1.70	43258	\$ 1.70
Sight Glass Gasket	33	72067	\$ 1.70	72067	\$ 1.70	72067	\$ 1.70	72067	\$ 1.70
Burner Box Gasket	34	72059	\$ 6.60	72059	\$ 6.60	72059	\$ 6.60	72059	\$ 6.60
Slip Joint Assembly w/Gaskets	50	34220	\$ 30.30	34220	\$ 30.30	34220	\$ 30.30	34220	\$ 30.30
Slip Joint Gasket	NA	72057	\$ 5.20	72057	\$ 5.20	72057	\$ 5.20	72057	\$ 5.20
Slip Joint Ring Gasket	61	72056	\$ 2.50	72056	\$ 2.50	72056	\$ 2.50	72056	\$ 2.50
Slip Jt. Ring Gsk. (2 pc. Graphite)	NA	72058	\$ 5.20	72058	\$ 5.20	72058	\$ 5.20	72058	\$ 5.20
Flue Outlet Pipe Gasket	36	72055	\$ 2.10	72055	\$ 2.10	72055	\$ 2.10	72055	\$ 2.10
Air Intake Pipe Gasket	37	72054	\$ 4.20	72054	\$ 4.20	72054	\$ 4.20	72054	\$ 4.20
Heat Exchanger Cover Plate	52	34195	\$ 4.00	34195	\$ 4.00	34195	\$ 4.00	34195	\$ 4.00
Heat Exchanger Cover Plate Gasket	38	72053	\$ 1.80	72053	\$ 1.80	72053	\$ 1.80	72053	\$ 1.80
Burner Box Inlet Gasket	39	72052	\$ 7.80	72052	\$ 7.80	72052	\$ 7.80	72052	\$ 7.80
Exhaust Pipe Gasket	40	72051	\$ 2.50	72051	\$ 2.50	72051	\$ 2.50	72051	\$ 2.50
Manifold Gasket	55	72068	\$ 1.70	72068	\$ 1.70	72068	\$ 1.70	72068	\$ 1.70
Piezo Igniter	41	70050	\$ 6.30	NA	NA	NA	NA	70050	\$ 6.30
Igniter Wire 0.028.508	42	72022	\$ 5.20	NA	NA	NA	NA	72022	\$ 5.20
Spark Igniter SP715, Natural Gas	43	NA	NA	78070	\$ 116.30	78070	\$ 116.30	NA	NA
Spark Igniter SP845, L.P. Gas	43	NA	NA	78088	\$ 159.50	78088	\$ 159.50	NA	NA
Heat Exchanger Kit	44	34805	\$ 303.20	34805	\$ 303.20	34810	\$ 305.60	34825	\$ 317.90
Vent Cap Assy. w/Spacer Pl. Complete	45 & 46	34250	\$ 142.40	34250	\$ 142.40	34250	\$ 142.40	34250	\$ 142.40
Vent Cap Mounting Kit	47	34330	\$ 11.90	34330	\$ 11.90	34330	\$ 11.90	34330	\$ 11.90
Air Intake Pipe Assembly	48	34280	\$ 31.60	34280	\$ 31.60	34280	\$ 31.60	34280	\$ 31.60
Vent Exhaust Pipe Assembly	49	34290	\$ 24.70	34290	\$ 24.70	34290	\$ 24.70	34290	\$ 24.70
Elbow 3/8x90 Degree	NA	84501	\$ 2.30	84501	\$ 2.30	84501	\$ 2.30	84501	\$ 2.30
Air Drop Assembly	51	34201	\$ 138.60	34201	\$ 138.60	34630	\$ 155.90	34630	\$ 155.90
Burner Box Bottom Assembly	58	34400	\$ 56.60	34400	\$ 56.60	34400	\$ 56.60	34400	\$ 56.60
Burner Access Door	56	34425	\$ 12.30	34425	\$ 12.30	34425	\$ 12.30	34425	\$ 12.30
Burner Access Gasket	57	72065	\$ 9.10	72065	\$ 9.10	72065	\$ 9.10	72065	\$ 9.10
90 Deg. Pilot Fitting	NA	NA	NA	70352	\$ 11.90	70352	\$ 11.90	NA	NA
Pilot Tube Bracket	60	34475	\$ 2.20	34475	\$ 2.20	34475	\$ 2.20	34475	\$ 2.20
Vent Terminal Shield	NA	34950	\$ 67.60	34950	\$ 67.60	34950	\$ 67.60	34950	\$ 67.60
Pilot Tubing w/Fittings	NA	78452	\$ 6.00	78452	\$ 6.00	78452	\$ 6.00	78452	\$ 6.00
Pilot Tube Gasket	59	72063	\$ 1.40	72063	\$ 1.40	72063	\$ 1.40	72063	\$ 1.40
Lighting Instructions DVCF	NA	91260	N/C	91261	N/C	91261	N/C	91260	N/C

Mr. Contractor, we only sell parts through our wholesalers, but the prices listed above are for your convenience. For prompt parts service, contact the wholesaler from which you purchased your Cozy heater. **NOTE:** Parts & schematic drawings on current models are shown at www.cozyheaters.com.