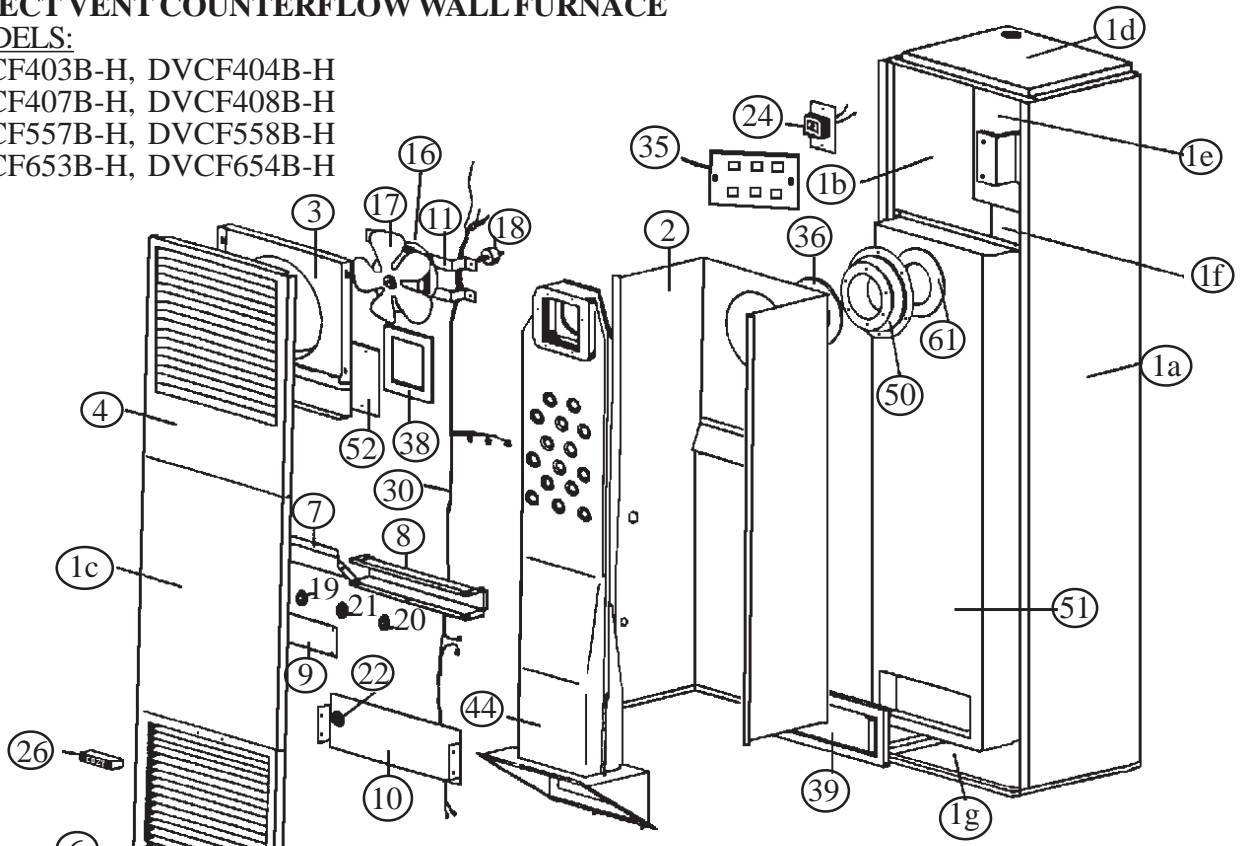


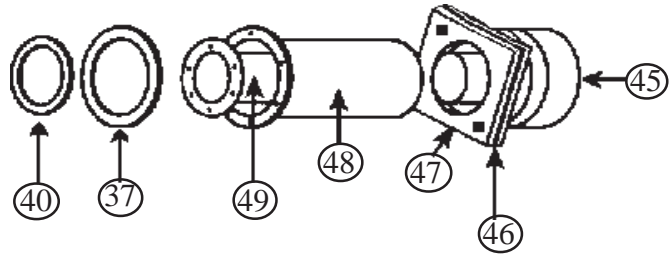
DIRECT VENT COUNTERFLOW WALL FURNACE

MODELS:

- DVCF403B-H, DVCF404B-H
- DVCF407B-H, DVCF408B-H
- DVCF557B-H, DVCF558B-H
- DVCF653B-H, DVCF654B-H

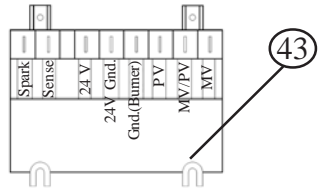


VENT ASSEMBLY

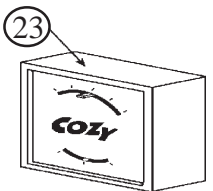


ATTN: CONTRACTORS AND SERVICE TECHNICIANS, we only sell parts through our wholesalers, but the prices listed are for your convenience. For prompt parts service, contact the wholesaler from which you purchased your Cozy heater. **NOTE:** Parts & schematic drawings on current models are shown at www.cozyheaters.com.

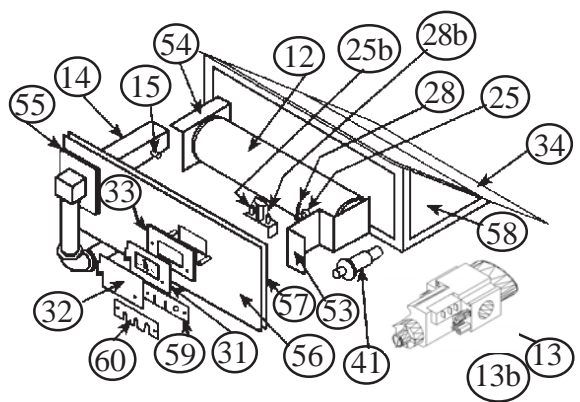
I.I.D. CONTROL MODULE HONEYWELL



THERMOSTAT



BURNER ASSEMBLY DVCF40B-H, DVCF55B-H, DVCF65B-H SERIES



USE ONLY FACTORY SUPPLIED PARTS

Prices and specifications subject to change without notice. All prices are F.O.B. factory.

HOW TO PROPERLY ORDER PARTS

In addition to part description and part number, please give model number, serial number, and type of gas used.

MODEL NUMBER	NAT.	DVCF403B-H		DVCF407B-H		DVCF557B-H		DVCF653B-H						
	L.P.	DVCF404B-H	DVCF408B-H	DVCF558B-H	DVCF654B-H	REF. NO.	PART NO.	LIST PRICE	PART NO.	LIST PRICE	PART NO.	LIST PRICE	PART NO.	LIST PRICE
PART DESCRIPTION														
Casing Side, Right		1a	34065	\$ 65.50	34065	\$ 65.50	34560	\$ 71.70	34560	\$ 71.70				
Casing Side, Left		1b	34055	\$ 65.50	34055	\$ 65.50	34550	\$ 71.70	34550	\$ 71.70				
Center Front Panel Assembly		1c	34104	\$ 32.60	34104	\$ 32.60	30534	\$ 33.60	30534	\$ 33.60				
Top Assembly		1d	34050	\$ 12.40	34050	\$ 12.40	34050	\$ 12.40	34050	\$ 12.40				
Upper Back Assembly		1e	34080	\$ 50.00	34080	\$ 50.00	34080	\$ 50.00	34080	\$ 50.00				
Lower Back Assembly		1f	34090	\$ 42.70	34090	\$ 42.70	34575	\$ 47.10	34575	\$ 47.10				
Bottom Assembly		1g	34070	\$ 18.80	34070	\$ 18.80	34070	\$ 18.80	34070	\$ 18.80				
Casing Mounting Brackets		N/A	*30260	\$ 1.50	*30260	\$ 1.50	*30260	\$ 1.50	*30260	\$ 1.50				
Liner Assembly		2	34115	\$ 95.00	34115	\$ 95.00	34600	\$ 102.40	34600	\$ 102.40				
Fan Shroud Assembly		3	34140	\$ 27.80	34140	\$ 27.80	34140	\$ 27.80	34140	\$ 27.80				
Top Louver		4	34100	\$ 19.00	34100	\$ 19.00	34590	\$ 20.70	34590	\$ 20.70				
Bottom Louver Assembly		6	30100	\$ 37.00	30100	\$ 37.00	30100	\$ 37.00	30100	\$ 37.00				
Upper Front Shield		7	30250	\$ 4.10	30250	\$ 4.10	30250	\$ 4.10	30250	\$ 4.10				
Switch Box		8	30252	\$ 8.40	30252	\$ 8.40	30450	\$ 8.50	30450	\$ 8.50				
Switch Box Cover		9	30253	\$ 3.30	30253	\$ 3.30	30253	\$ 3.30	30253	\$ 3.30				
Lower Front Shield		10	30256	\$ 6.00	30256	\$ 6.00	30256	\$ 6.00	30256	\$ 6.00				
Motor Mounting Bracket		11	*34088	\$ 4.20	*34088	\$ 4.20	*34579	\$ 2.40	*34579	\$ 2.40				
Burner		12	72107	\$ 44.60	72107	\$ 44.60	72107	\$ 44.60	72107	\$ 44.60				
Pilot Bracket		53	34440	\$ 4.70	34440	\$ 4.70	34440	\$ 4.70	34440	\$ 4.70				
Valve, VR8200H-1004, Nat. W/78089 Dis. Bushing		13	78090	\$ 146.20	N/A	N/A	N/A	N/A	78090	\$ 146.20				
Valve, VR8200H-1103, L.P. w/78089 Dis. Bushing		13	78091	\$ 151.00	N/A	N/A	N/A	N/A	78091	\$ 151.00				
Valve, VR8204H-1006, Nat. w/78089 Dis. Bushing		13b	N/A	N/A	78092	\$ 143.50	78092	\$ 143.50	N/A	N/A				
Valve, VR8204H-1006 (Conv.), L.P. w/78089 Bushing		13b	N/A	N/A	78093	\$ 143.50	78093	\$ 143.50	N/A	N/A				
Disappearing Bushing 1/2x3/8		N/A	78089	\$ 2.30	78089	\$ 2.30	78089	\$ 2.30	78089	\$ 2.30				
Manifold		14	72103	\$ 22.40	72103	\$ 22.40	72103	\$ 22.40	72103	\$ 22.40				
Burner Orifice, Natural Gas		15	72147	\$ 4.00	72147	\$ 4.00	72140	\$ 4.00	72142	\$ 4.00				
Burner Orifice, L.P. Gas		15	72149	\$ 4.00	72149	\$ 4.00	72141	\$ 4.00	72143	\$ 4.00				
Fan Motor		16	72108	\$ 86.40	72108	\$ 86.40	72110	\$ 98.10	72110	\$ 98.10				
Fan Blade		17	78101	\$ 28.20	78101	\$ 28.20	78101	\$ 28.20	78101	\$ 28.20				
Rubber Grommet		18	78010	\$ 3.60	78010	\$ 3.60	78010	\$ 3.60	78010	\$ 3.60				
Limit Switch 60T11-L220F		19	N/A	N/A	N/A	N/A	72160	\$ 6.90	72160	\$ 6.90				
Limit Switch 60T11-L180F		19	78065	\$ 6.90	78065	\$ 6.90	N/A	N/A	N/A	N/A				
Fan Switch 60T12-120-15 Deg. F		20	78067	\$ 7.10	78067	\$ 7.10	78067	\$ 7.10	78067	\$ 7.10				
Speed Switch 60T13-F160-30		21	N/A	N/A	N/A	N/A	78066	\$ 10.40	78066	\$ 10.40				
Aux. Limit Switch 60T15-L350		22	78086	\$ 10.90	78086	\$ 10.90	78086	\$ 10.90	78086	\$ 10.90				
Thermostat 24 Volt		23	78355	\$ 23.40	78355	\$ 23.40	78355	\$ 23.40	78355	\$ 23.40				
Transformer		24	78069	\$ 27.50	78069	\$ 27.50	78069	\$ 27.50	78069	\$ 27.50				
Transformer Plate		N/A	34089	\$ 4.40	34089	\$ 4.40	34089	\$ 4.40	34089	\$ 4.40				
Terminal Board		35	78300	\$ 5.90	78300	\$ 5.90	78300	\$ 5.90	78300	\$ 5.90				
Pilot 0.140.512, Natural Gas		25	72020	\$ 26.50	N/A	N/A	N/A	N/A	72020	\$ 26.50				
Pilot 0.140.502, L.P. Gas		25	72021	\$ 26.50	N/A	N/A	N/A	N/A	72021	\$ 26.50				
Cozy Handle		26	84003	\$ 2.60	84003	\$ 2.60	84003	\$ 2.60	84003	\$ 2.60				
Thermostat Wire		27	74518	\$ 1.60	74518	\$ 1.60	74518	\$ 1.60	74518	\$ 1.60				
Thermocouple Q309A1954		28	78095	\$ 13.30	N/A	N/A	N/A	N/A	78095	\$ 13.30				
Insulated Staples		29	74209	\$ 1.50	74209	\$ 1.50	74209	\$ 1.50	74209	\$ 1.50				
Pilot Assy. Electronic w/Flame Ignitor Nat.		25b/28b	N/A	N/A	78098	\$ 34.90	78098	\$ 34.90	N/A	N/A				
Pilot Assy. Electronic w/Flame Ignitor L.P.		25b/28b	N/A	N/A	78099	\$ 34.90	78099	\$ 34.90	N/A	N/A				
Wiring Harness		30	72251	\$ 21.90	72251	\$ 21.90	72250	\$ 24.70	72250	\$ 24.70				

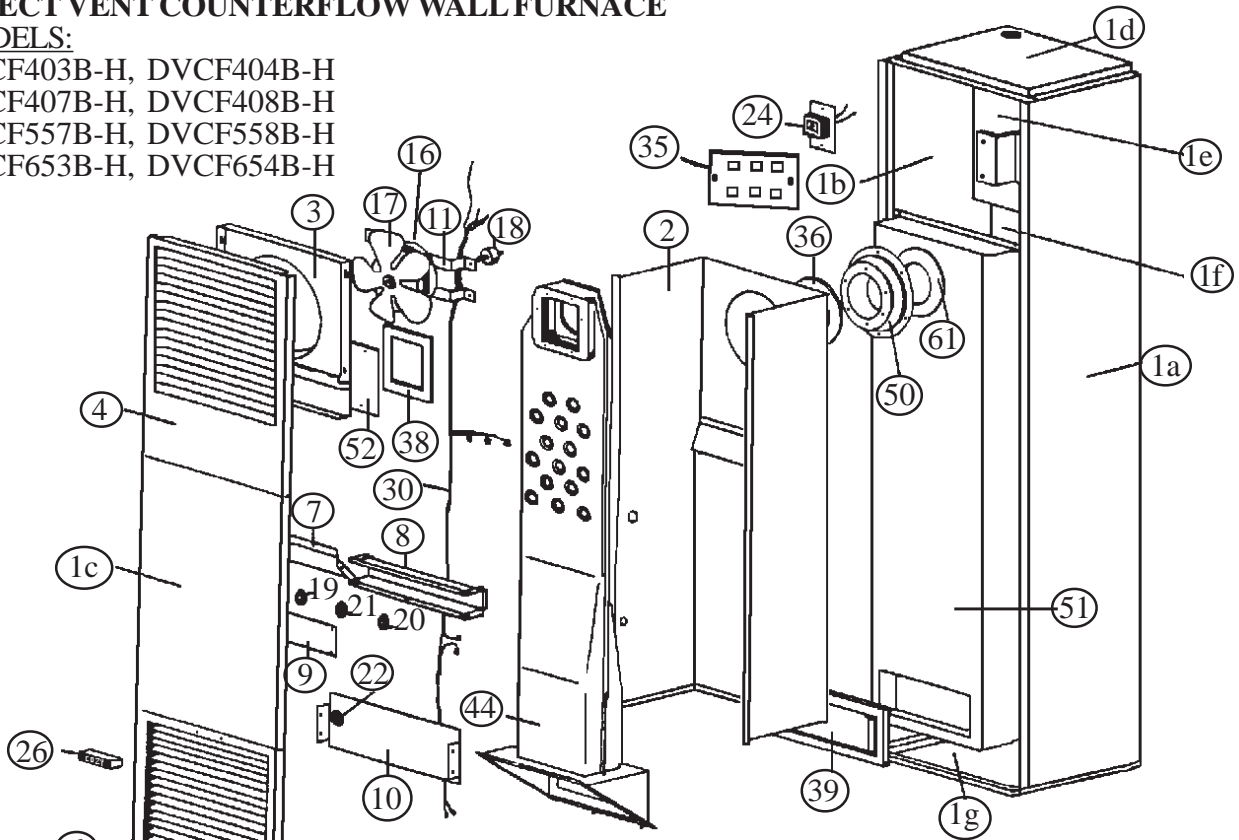
Mr. Contractor, we only sell parts through our wholesalers, but the prices listed above are for your convenience. For prompt parts service, contact the wholesaler from which you purchased your Cozy heater. **NOTE:** Parts & schematic drawings on current models are shown at www.cozyheaters.com.

PARTS LIST CONTINUED

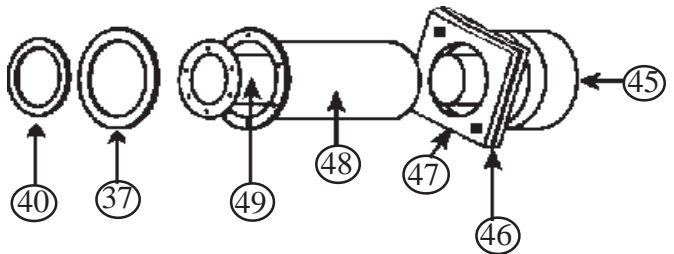
DIRECT VENT COUNTERFLOW WALL FURNACE

MODELS:

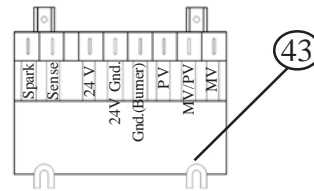
- DVCF403B-H, DVCF404B-H
- DVCF407B-H, DVCF408B-H
- DVCF557B-H, DVCF558B-H
- DVCF653B-H, DVCF654B-H



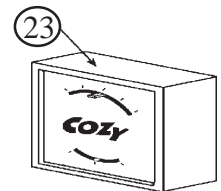
VENT ASSEMBLY



**I.I.D. CONTROL MODULE
HONEYWELL**



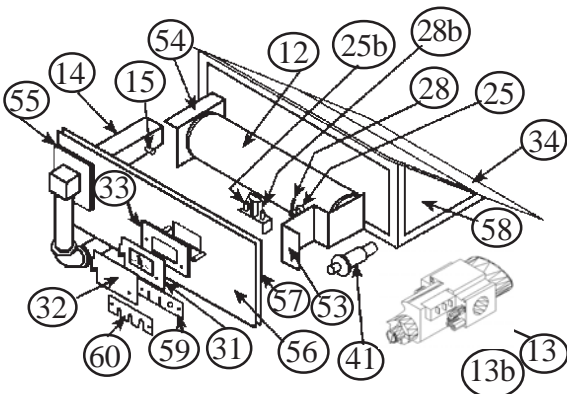
THERMOSTAT



ATTN: CONTRACTORS AND SERVICE TECHNICIANS, we only sell parts through our wholesalers, but the prices listed are for your convenience. For prompt parts service, contact the wholesaler from which you purchased your Cozy heater. **NOTE:** Parts & schematic drawings on current models are shown at www.cozyheaters.com.

BURNER ASSEMBLY

DVCF40B-H, DVCF55B-H, DVCF65B-H SERIES



USE ONLY FACTORY SUPPLIED PARTS

Prices and specifications subject to change without notice. All prices are F.O.B. factory.

MARCH 2009
REV. 03/05

