

**MODEL NUMBERS**

**MILLIVOLT**

**NAT. GAS**  
**CDV155B**

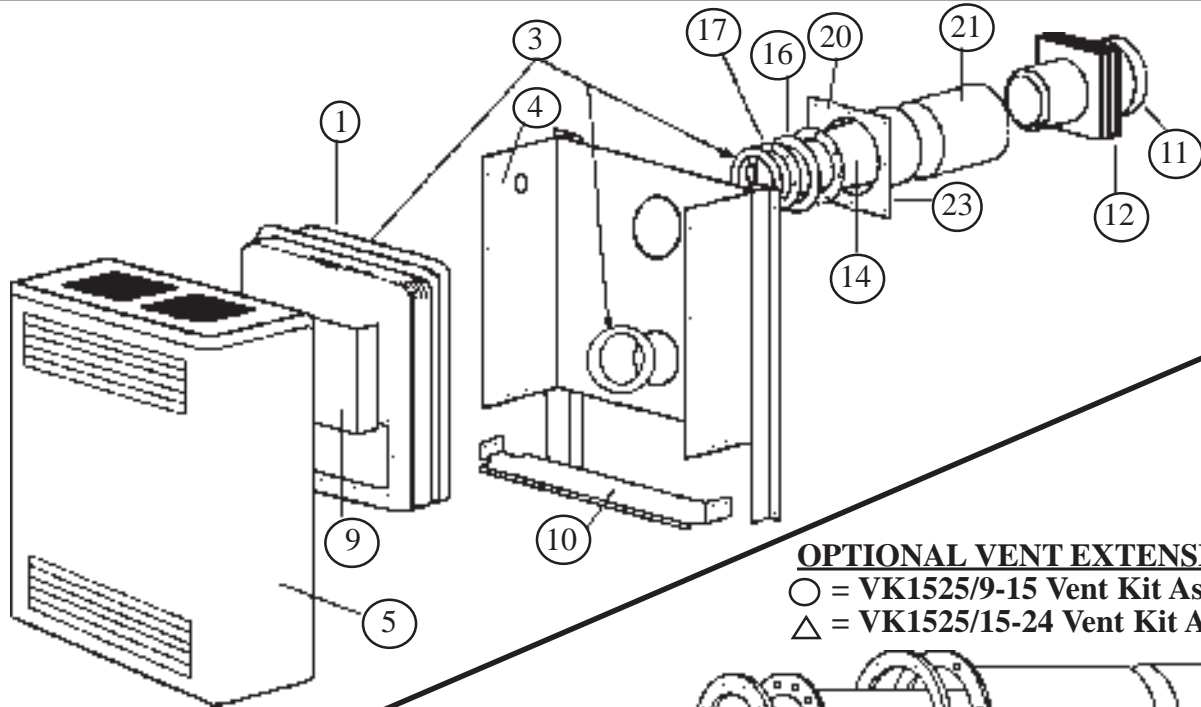
**L.P. GAS**  
**CDV156B**

**DIRECT VENT WALL FURNACE**

**PARTS LIST**

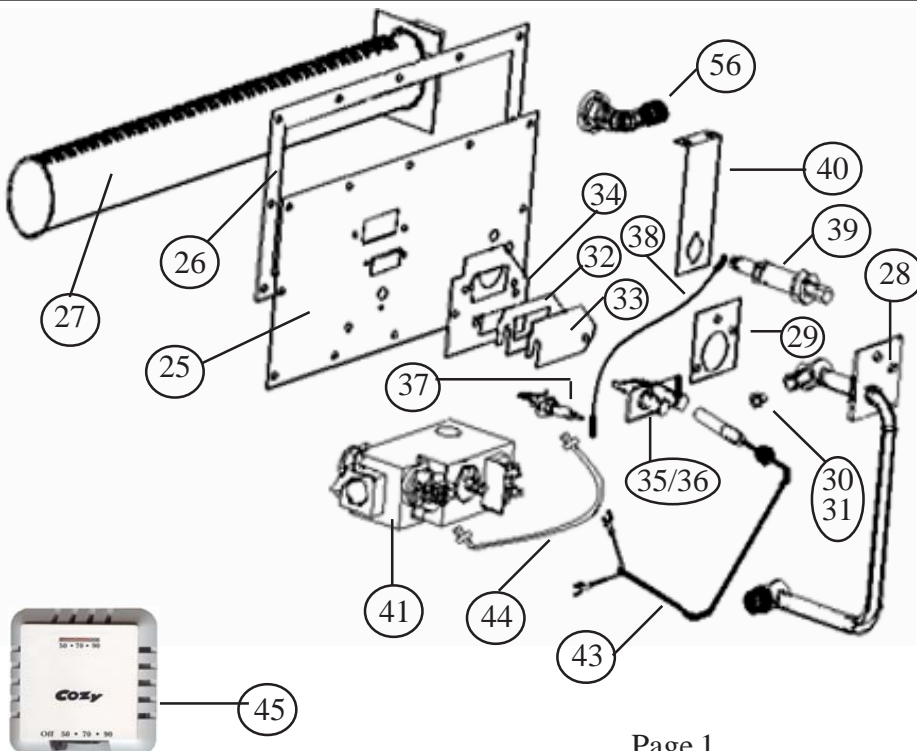
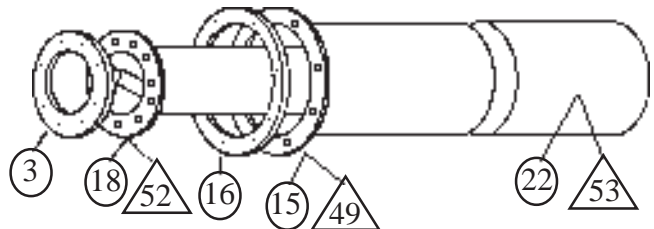
Prices and specifications subject to change without notice. All prices are F.O.B. factory.

**COZY DIRECT VENT WALL FURNACE - CDV15-B**

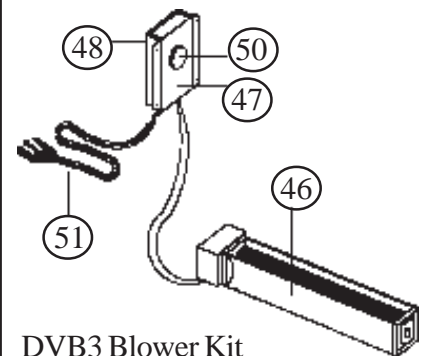


**OPTIONAL VENT EXTENSIONS**

- = VK1525/9-15 Vent Kit Assembly
- △ = VK1525/15-24 Vent Kit Assembly



**OPTIONAL BLOWER ASSEMBLY / DVB-3**



DVB3 Blower Kit  
also includes:

- 43078 Cover Plate
- 43635 Blower Screen for CDV25/33

**HOW TO PROPERLY ORDER PARTS:** In addition to part description and part number, please give model number, serial number, and type of gas used. This information can be found on the rating plate located in control compartment.

MODEL NUMBERS	NAT.	CDV155B	
	LP.	CDV156B	
PART DESCRIPTION	REF. NO.	PART NUMBER	LIST PRICE
Heat Exchanger	1	42565	\$ 207.60
Vent Exhaust Tube Gasket - 5-3/8" Circle	3	70062	\$ 2.30
Wrapper Assembly w/Comb. Air Pan	4	43051	\$ 110.50
Cabinet	5	42555	\$ 141.80
Front Heat Shield	9	43081	\$ 9.10
Bottom Heat Shield	10	43075	\$ 6.90
Vent Cap & Spacer Plate	11 & 12	43145	\$ 130.20
Air Intake Tube Assy. (5-9" Wall) 6-3/4" Dia.	14	43200	\$ 17.90
Air Intake Tube Assembly (9-15" Wall)	15	43810	\$ 25.50
Air Intake Tube Assembly (15-24" Wall)	49	43705	\$ 27.60
Air Intake Tube Gasket - 8-1/2" Circle	16	70061	\$ 4.10
Vent Exhaust Tube Assy. (5-9" Wall) 4-3/16" Dia.	17	43209	\$ 20.40
Vent Exhaust Tube Assembly (9-15" Wall)	18	43820	\$ 24.00
Vent Exhaust Tube Assembly (15-24" Wall)	52	43717	\$ 27.40
Wall Thimble Assembly (5 - 9" Wall)	20	43230	\$ 14.60
Wall Thimble Extension (5-9" Wall)	21	43236	\$ 5.40
Wall Thimble Extension (9-15" Wall)	22	43835	\$ 11.80
Wall Thimble Extension (15-24" Wall)	53	43730	\$ 17.30
Wall Thimble Gasket - 11x11"	23	70066	\$ 1.90
Burner Access Door	25	43247	\$ 9.20
Heat Exchanger Door Gasket	26	70060	\$ 10.90
Main Burner	27	70005	\$ 49.60
Manifold	28	70031	\$ 20.70
Manifold Gasket - 2x2"	29	70065	\$ 1.50
Main Burner Orifice, Natural Gas	30	70040	\$ 4.00
Main Burner Orifice, L.P. Gas	31	70041	\$ 4.00
Sight Glass Assembly	32	43252	\$ 7.60
Sight Glass Cover	33	43258	\$ 1.80
Sight Glass/Pilot Burner, Gasket - 3-1/2x2-3/4"	34	70064	\$ 1.50
Pilot Burner Q350A1529, Natural Gas	35	70007	\$ 9.20
Pilot Burner Q350A1537, L.P. Gas	36	70008	\$ 9.20
Electrode	37	70052	\$ 9.10
Electrode Wire	38	70051	\$ 3.20
Piezo Sparker	39	80016	\$ 6.70
Piezo Sparker Bracket	40	43263	\$ 3.20
Valve, MV, <b>Robertshaw</b> 7000M VRLC, Nat. Gas for CDV155	41	70090	\$ 158.70
Valve, MV, <b>Robertshaw</b> 7000M VRLC, L.P. Gas for CDV156	41	70091	\$ 168.80
Valve, MV, <b>Dexen</b> 6003, Natural Gas for CDV155	41	84085	\$ 158.70
Valve, MV, <b>Dexen</b> 6003LP, L.P. Gas for CDV156	41	84086	\$ 168.80
Generator, Q313A for CDV155 / CDV156	43	70098	\$ 37.70
Pilot Tubing w/fittings	44	70012	\$ 7.70
Thermostat	45	74592	\$ 23.40
Thermostat Wire	N/A	74518	\$ 1.60
Insulated Staples	N/A	74209	\$ 1.50
Air Pan Assembly w/Gasket for CDV15	N/A	43059	\$ 21.20
90 Degree Elbow	56	70352	\$ 12.50
Vent Terminal Shield	N/A	34950	\$ 71.00
Blower Housing w/Motor & Blower	46	70201	\$ 124.50
Junction Box	47	43610	\$ 4.90
Junction Box Cover	48	43620	\$ 6.00
Fan Switch 120 Degrees	50	70110	\$ 7.40
Cord Set	51	80202	\$ 4.90
Cover plate	N/A	43078	\$ 2.80

**ATTN: CONTRACTORS and SERVICE TECHNICIANS**, we only sell parts through our wholesalers, but the prices listed above are for your convenience. For prompt parts service, contact the wholesaler from which you purchased your Cozy heater. **NOTE:** parts and schematic drawings on current models are shown at [www.cozyheaters.com](http://www.cozyheaters.com).

**MODEL NUMBERS**

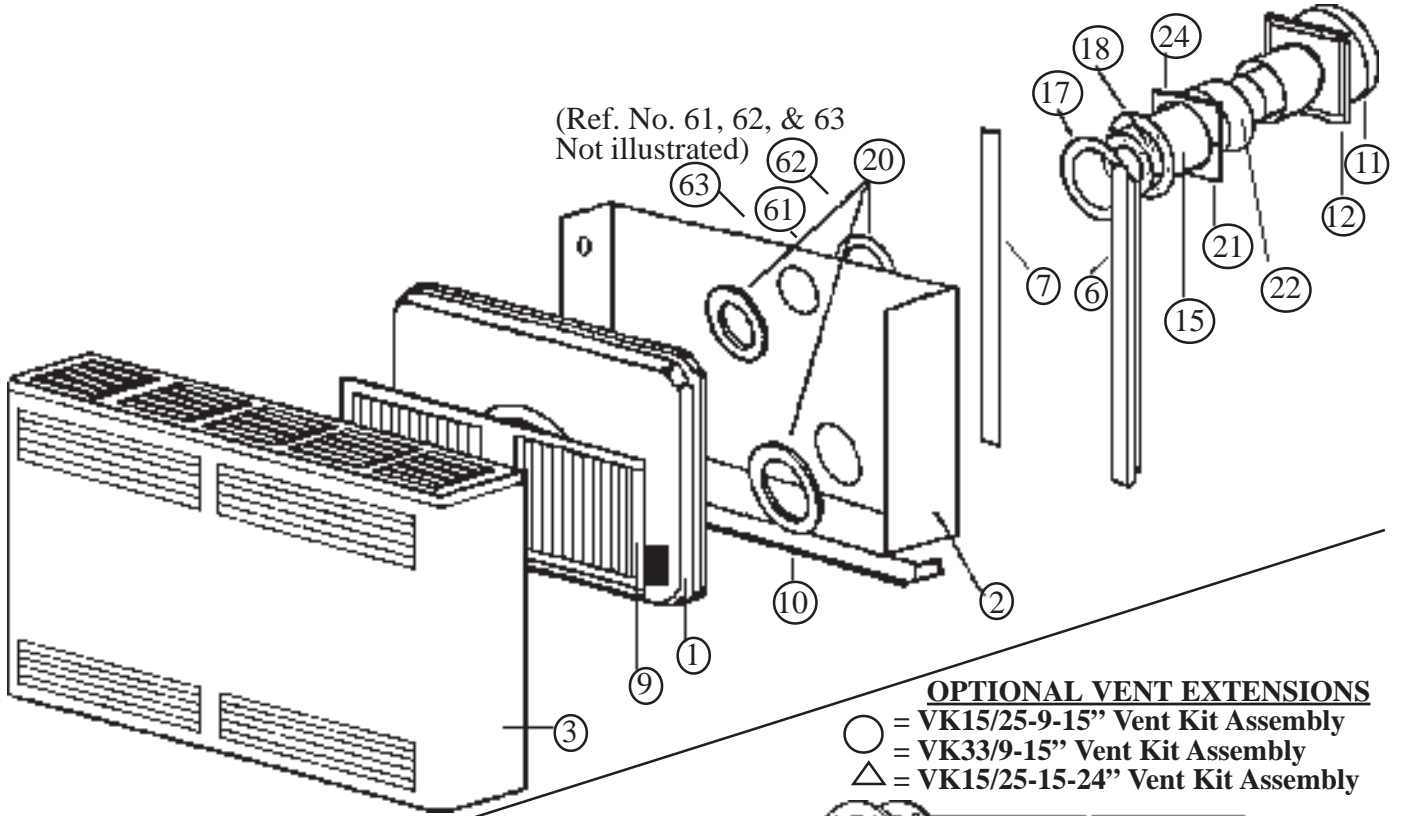
**NATURAL GAS**  
CDV255B  
CDV335B

**L.P. GAS**  
CDV256B  
CDV336B

**DIRECT VENT WALL FURNACE  
PARTS LIST**

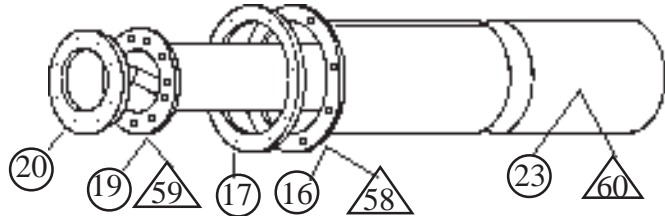
Prices and specifications subject to change  
without notice. All prices are F.O.B. factory.

**COZY DIRECT VENT WALL FURNACE - CDV25-B / CDV33-B**

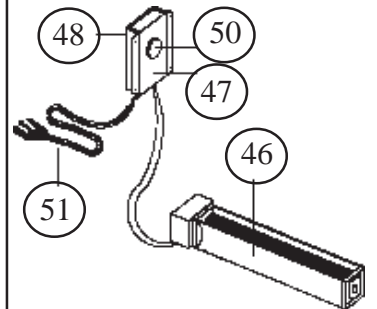
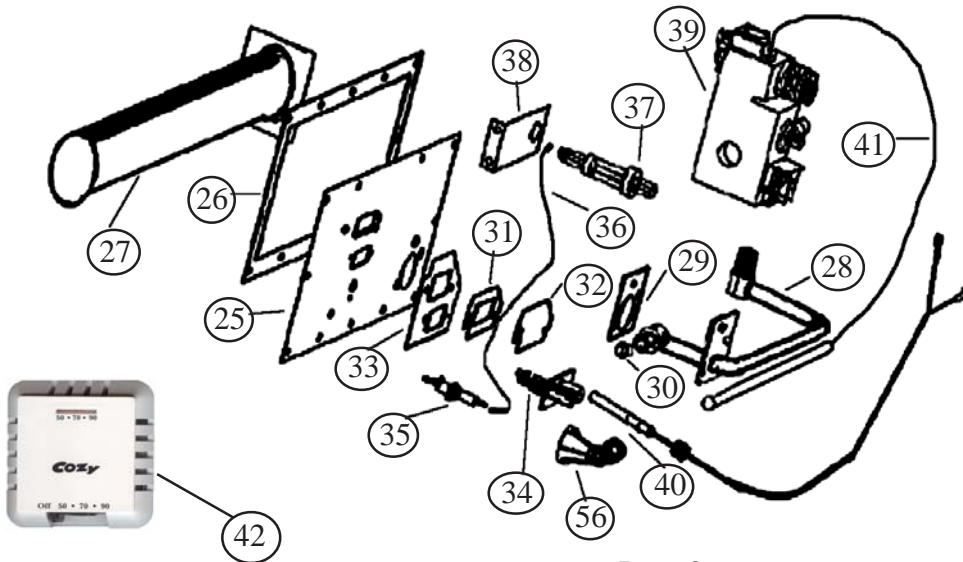


**OPTIONAL VENT EXTENSIONS**

- = VK15/25-9-15" Vent Kit Assembly
- = VK33/9-15" Vent Kit Assembly
- △ = VK15/25-15-24" Vent Kit Assembly



**OPTIONAL BLOWER  
ASSEMBLY / DVB-3**



DVB3 Blower Kit also includes:  
43078 Cover Plate  
43635 Blower Screen for CDV25/33

**HOW TO PROPERLY ORDER PARTS:** In addition to part description and part number, please give model number, serial number, and type of gas used. This information can be found on the rating plate located in control compartment.

MODEL NUMBERS	NAT.	CDV255B		CDV335B	
	LP.	CDV256B		CDV336B	
PART DESCRIPTION	REF. NO.	PART NO.	LIST PRICE	PART NO.	LIST PRICE
Heat Exchanger Kit, INCLUDES Wrapper (Ref. # 2), Right and Left Leg (Ref. # 6 & 7), AND Comb. Air Pan Assembly w/Gaskets (Ref. # 63)	1	42770	\$ 336.00	42770	\$ 336.00
Cabinet	3	42755	\$ 222.90	42755	\$ 222.90
Leg, Right	6	43495	\$ 11.30	43495	\$ 11.30
Leg, Left	7	43494	\$ 11.30	43494	\$ 11.30
Front Heat Shield Assembly	9	43481	\$ 27.70	43481	\$ 27.70
Bottom Heat Shield Assembly	10	43473	\$ 12.40	43473	\$ 12.40
Vent Cap with Spacer Plate	11 & 12	43145	\$ 130.20	43145	\$ 130.20
Air Intake Tube Assy. (5-9" Wall) 6-3/4"Dia.	15	43200	\$ 17.90	43200	\$ 17.90
Air Intake Tube Assy. (9-15" Wall)	16	43810	\$ 25.50	43810	\$ 25.50
Air Intake Tube Assy. (15-24" Wall)	58	43705	\$ 27.60	N/A	N/A
Air Intake Tube Gasket - 8-1/2" Circle	17	70061	\$ 4.10	70061	\$ 4.10
Vent Exhaust Tube Assy. (5-9" Wall) 4-3/16" dia.	18	43530	\$ 21.20	43539	\$ 15.50
Vent Exhaust Tube Assy. (9-15" Wall)	19	43820	\$ 24.00	43828	\$ 21.40
Vent Exhaust Tube Assy. (15-24" Wall)	59	43717	\$ 27.40	N/A	N/A
Vent Exhaust Tube Gasket (Requires 4) 5-3/8" Circle	20	70062	\$ 2.30	70062	\$ 2.30
Wall Thimble (5-9" Wall)	21	43552	\$ 16.50	43552	\$ 16.50
Wall Thimble Extension (5-9" Wall)	22	43236	\$ 5.40	43236	\$ 5.40
Wall Thimble Extension (9-15" Wall)	23	43835	\$ 11.80	43835	\$ 11.80
Wall Thimble Extension (15-24" Wall)	60	43730	\$ 17.30	N/A	N/A
Wall Thimble Gasket - 11x11"	24	70066	\$ 1.90	70066	\$ 1.90
Burner Access Door	25	43247	\$ 9.20	43247	\$ 9.20
Burner Access Door Gasket	26	70060	\$ 10.90	70060	\$ 10.90
Burner	27	70006	\$ 61.20	70006	\$ 61.20
Manifold	28	70032	\$ 21.70	70032	\$ 21.70
Manifold Gasket - 2x2"	29	70065	\$ 1.50	70065	\$ 1.50
Main Burner Orifice (Nat. Gas)	30	70048	\$ 4.00	70047	\$ 4.00
Main Burner Orifice (L.P. Gas)	30	70039	\$ 4.00	70049	\$ 4.00
Sight Glass Assembly	31	43252	\$ 7.60	43252	\$ 7.60
Sight Glass Cover	32	43258	\$ 1.80	43258	\$ 1.80
Sight Glass/Pilot Burner, Gasket - 3-1/2x2-3/4"	33	70064	\$ 1.50	70064	\$ 1.50
Pilot Burner Q350A1529 (Nat. Gas)	34	70007	\$ 9.20	70007	\$ 9.20
Pilot Burner Q350A1537 (L.P. Gas)	34	70008	\$ 9.20	70008	\$ 9.20
Electrode	35	70052	\$ 9.10	70052	\$ 9.10
Electrode Wire	36	70051	\$ 3.20	70051	\$ 3.20
Piezo Sparker	37	80016	\$ 6.70	80016	\$ 6.70
Piezo Sparker Bracket	38	43263	\$ 3.20	43263	\$ 3.20
Valve, M.V, <b>Robertshaw</b> 7000M VRCL-Nat. Gas	39	70090	\$ 158.70	70090	\$ 158.70
Valve, M.V, <b>Robertshaw</b> 7000M VRCL-L.P. Gas	39	70091	\$ 168.80	70091	\$ 168.80
Valve, M.V, <b>Dexen</b> 6003, Natural Gas	39	84085	\$ 158.70	84085	\$ 158.70
Valve, M.V, <b>Dexen</b> 6003LP, L.P. Gas	39	84086	\$ 168.80	84086	\$ 168.80
Pilot Generator, TP75 Millivolt	40	70098	\$ 37.70	70098	\$ 37.70
Pilot Tubing w/fittings	41	70012	\$ 7.70	70012	\$ 7.70
Thermostat, Millivolt	42	74592	\$ 23.40	74592	\$ 23.40
Thermostat Wire	N/A	74518	\$ 1.60	74518	\$ 1.60
Insulated Staples	N/A	74209	\$ 1.50	74209	\$ 1.50
Gasket, Air Pan Top & Bottom (15-1/4x1)	61	*70074	\$ 1.50	*70074	\$ 1.50
Gasket, Air Pan Sides (25x1)	62	*70073	\$ 1.50	*70073	\$ 1.50
90 Degree Elbow	56	70352	\$ 12.50	70352	\$ 12.50
Vent Terminal Shield	N/A	34950	\$ 71.00	34950	\$ 71.00
Blower Housing w/Motor & Blower	46	70201	\$ 124.50	70201	\$ 124.50
Junction Box	47	43610	\$ 4.90	43610	\$ 4.90
Junction Box Cover	48	43620	\$ 6.00	43620	\$ 6.00
Fan Switch 120 degree	50	70110	\$ 7.40	70110	\$ 7.40
Cord Set	51	80202	\$ 4.90	80202	\$ 4.90
Cover Plate	N/A	43078	\$ 2.80	43078	\$ 2.80
Blower Screen	N/A	43635	\$ 24.50	43635	\$ 24.50
Left Air Intake Baffle	N/A	43528	\$ 4.50	43528	\$ 4.50
Right Air Intake Baffle	N/A	43526	\$ 3.80	43526	\$ 3.80

**ATTN: CONTRACTORS and SERVICE TECHNICIANS**, we only sell parts through our wholesalers, but the prices listed above are for your convenience. For prompt parts service, contact the wholesaler from which you purchased your Cozy heater. **NOTE:** Parts & schematic drawings on current models are shown at [www.cozyheaters.com](http://www.cozyheaters.com).