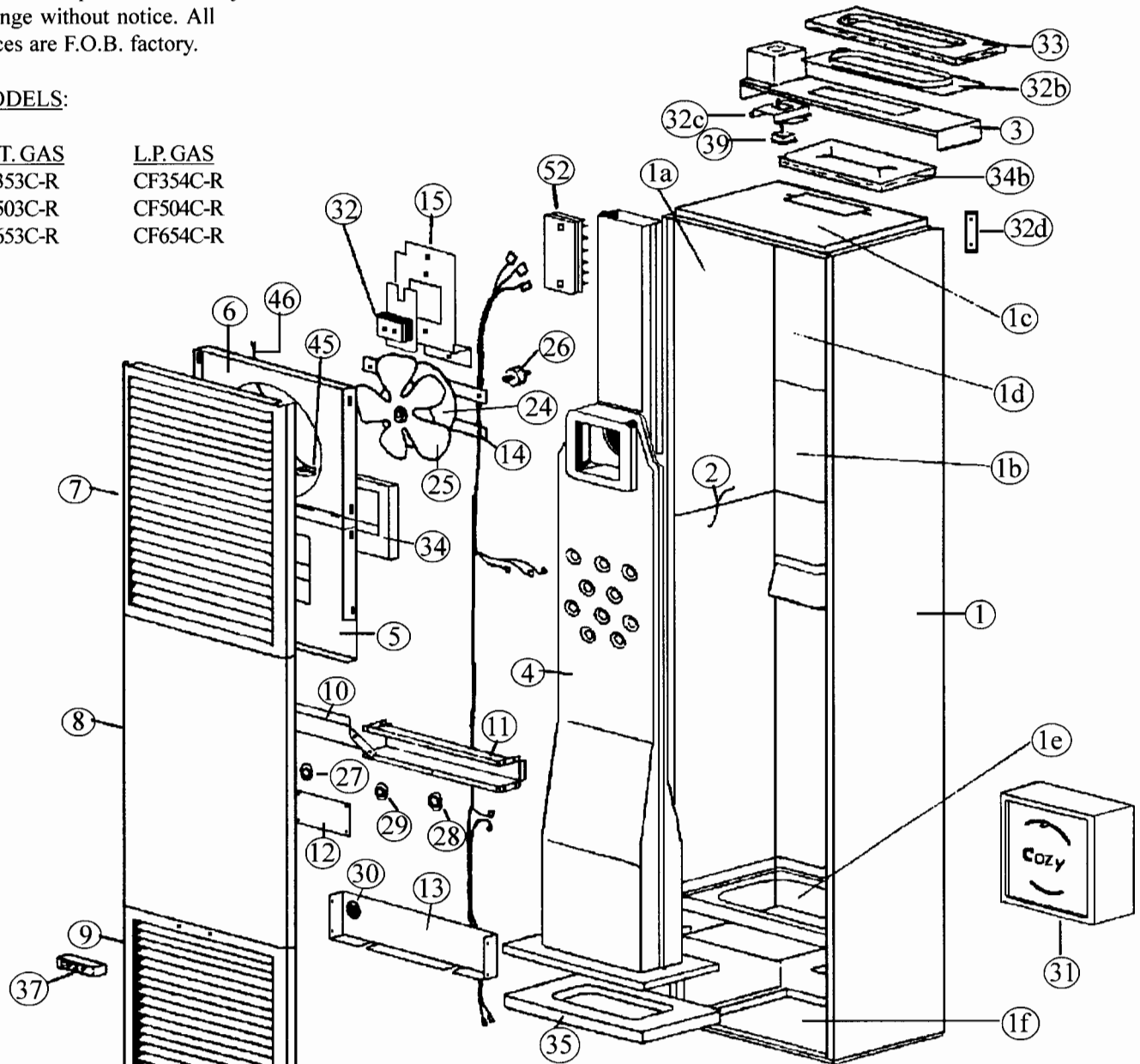


COUNTERFLOW WALL FURNACE / STANDING PILOT

Prices and specifications subject to change without notice. All prices are F.O.B. factory.

MODELS:

NAT. GAS	L.P. GAS
CF353C-R	CF354C-R
CF503C-R	CF504C-R
CF653C-R	CF654C-R



CONTROL ASSEMBLY

REV. 04/97

Mr. Contractor, we only sell parts through our wholesalers, but the prices listed are for your convenience. For prompt parts service, contact the wholesaler from which you purchased your Cozy heater. NOTE: Parts & schematic drawings on current models are shown at www.cozyheaters.com.

HOW TO PROPERLY ORDER PARTS: In addition to part description and part number, please give model number, serial number, and type of gas used. This information can be found on the rating plate that is attached to heater.

24 VOLT SYSTEM WITH LOW-B.T.U. STANDING PILOT							
MODEL NUMBER	NATURAL	CF353C-R		CF503C-R		CF653C-R	
	L.P.	CF354C-R		CF504C-R		CF654C-R	
PART DESCRIPTION	REF. NUMBER	PART NUMBER	LIST PRICE	PART NUMBER	LIST PRICE	PART NUMBER	LIST PRICE
Casing Side, Right	1	30055	\$ 53.80	30325	\$ 54.60	30525	\$ 58.00
Casing Side, Left	1a	30060	\$ 53.80	30330	\$ 54.60	30530	\$ 58.00
Center Back Assembly	1b	30114	\$ 41.30	30364	\$ 38.10	30544	\$ 40.90
Top Assembly	1c	30025	\$ 14.80	30025	\$ 14.80	30025	\$ 14.80
Upper Back Assembly	1d	30070	\$ 24.80	30070	\$ 24.80	30070	\$ 24.80
Lower Back Assembly	1e	30219	\$ 34.00	30219	\$ 34.00	30219	\$ 34.00
Bottom	1f	30246	\$ 10.90	30246	\$ 10.90	30246	\$ 10.90
Liner Assembly	2	30120	\$ 81.60	30370	\$ 82.40	30550	\$ 89.30
Header Assembly Complete	3	31399	\$ 42.90	31399	\$ 42.90	31399	\$ 42.90
Heat Exchanger Assembly	4	30133	\$ 234.40	30379	\$ 240.50	30563	\$ 240.50
Draft Diverter Assembly	5	30180	\$ 34.90	30400	\$ 47.10	30400	\$ 47.10
Fan Shroud Assembly	6	30200	\$ 24.10	30200	\$ 24.10	30200	\$ 24.10
Top Louver w/Insulation	7	30087	\$ 19.60	30087	\$ 19.60	30087	\$ 19.60
Center Front Panel w/Insulation	8	30089	\$ 27.70	30359	\$ 29.70	30534	\$ 32.00
Bottom Louver Assembly w/Insulation	9	30100	\$ 35.20	30100	\$ 35.20	30100	\$ 35.20
Upper Front Shield	10	30250	\$ 3.90	30250	\$ 3.90	30250	\$ 3.90
Switch Box	11	30252	\$ 8.00	30450	\$ 8.10	30450	\$ 8.10
Switch Box Cover	12	30253	\$ 3.10	30253	\$ 3.10	30253	\$ 3.10
Lower Front Shield	13	30256	\$ 5.70	30256	\$ 5.70	30256	\$ 5.70
Motor Mounting Bracket	14	*30079	\$ 2.30	*30079	\$ 2.30	*30079	\$ 2.30
Junction Box Cover	15	30033	\$ 4.10	30033	\$ 4.10	30033	\$ 4.10
Burner	16	72107	\$ 42.50	72107	\$ 42.50	72107	\$ 42.50
Valve, 7200ERSO4 NATURAL GAS	17	72090	\$ 153.50	72090	\$ 153.50	72090	\$ 153.50
Valve, 7200ERSO4 L.P. GAS	18	72091	\$ 153.50	72091	\$ 153.50	72091	\$ 153.50
Manifold	21	78006	\$ 13.70	78006	\$ 13.70	78006	\$ 13.70
Orifice,NATURAL	22	72182	\$ 3.80	78160	\$ 3.80	78169	\$ 3.80
Orifice, L.P.	23	95271	\$ 3.80	78163	\$ 3.80	95273	\$ 3.80
Fan Motor	24	72108	\$ 82.30	78111	\$ 95.50	78111	\$ 95.50
Fan Blade	25	78101	\$ 26.90	78101	\$ 26.90	78101	\$ 26.90
Rubber Grommet	26	78010	\$ 3.40	78010	\$ 3.40	78010	\$ 3.40
Limit Switch 60T11-L180	27	78065	\$ 6.60	78065	\$ 6.60	78065	\$ 6.60
Fan Switch 60T12-F120	28	78067	\$ 6.80	78067	\$ 6.80	78067	\$ 6.80
Speed Switch 60T13-F160-30	29	N/A	N/A	78066	\$ 9.90	78066	\$ 9.90
Auxiliary Limit Switch 60T15-L350	30	78086	\$ 10.40	78086	\$ 10.40	78086	\$ 10.40
Thermostat 24 Volt	31	78355	\$ 22.30	78355	\$ 22.30	78355	\$ 22.30
Transformer	32	78069	\$ 26.20	78069	\$ 26.20	78069	\$ 26.20
Flue Pipe Adapter	32b	40061	\$ 2.20	40061	\$ 2.20	40061	\$ 2.20
Plug Bracket	32c	30047	\$ 2.10	30047	\$ 2.10	30047	\$ 2.10
Casing Mounting Brackets	32d	*30260	\$ 1.40	*30260	\$ 1.40	*30260	\$ 1.40
Flue Pipe Gasket	33	78050	\$ 1.40	78050	\$ 1.40	78050	\$ 1.40
Draft Diverter Gasket	34	78051	\$ 1.40	78051	\$ 1.40	78051	\$ 1.40
Casing Top Gasket	34b	78155	\$ 1.40	78155	\$ 1.40	78155	\$ 1.40
Element Support Gasket	35	78052	\$ 4.90	78052	\$ 4.90	78052	\$ 4.90
Pilot,NAT. 0.140.512	36	72020	\$ 25.20	72020	\$ 25.20	72020	\$ 25.20
Pilot, L.P.. 0.140.502	36	72021	\$ 25.20	72021	\$ 25.20	72021	\$ 25.20
Cozy Handle	37	84003	\$ 2.50	84003	\$ 2.50	84003	\$ 2.50
Power Cord	38	78213	\$ 5.20	78213	\$ 5.20	78213	\$ 5.20
Snap-in Outlet	39	78058	\$ 5.20	78058	\$ 5.20	78058	\$ 5.20
Thermostat Wire	41	74518	\$ 1.50	74518	\$ 1.50	74518	\$ 1.50
Thermocouple Q309A-2135	42	78095	\$ 12.70	78095	\$ 12.70	78095	\$ 12.70
Insulated Staples	43	74209	\$ 1.40	74209	\$ 1.40	74209	\$ 1.40
Door Catch	44	80005	\$ 1.40	80005	\$ 1.40	80005	\$ 1.40
Blocked Flue Switch	45	78108	\$ 10.40	78109	\$ 10.40	78109	\$ 10.40
Blocked Flue Switch Wire	46	78230	\$ 1.70	78230	\$ 1.70	78230	\$ 1.70
Terminal Board	52	78300	\$ 5.60	78300	\$ 5.60	78300	\$ 5.60
Pilot Tubing w/Fittings	N/A	78452	\$ 6.00	78452	\$ 6.00	78452	\$ 6.00
Piezo Sparker	N/A	80016	\$ 6.40	80016	\$ 6.40	80016	\$ 6.40
Electrode Wire	N/A	72022	\$ 5.20	72022	\$ 5.20	72022	\$ 5.20
Burner Pan Assembly	53	30286	\$ 17.70	30286	\$ 17.70	30286	\$ 17.70
Valve Support Bracket Assembly	56	30290	\$ 5.20	30290	\$ 5.20	30290	\$ 5.20
Pilot Mounting Bracket	57	30299	\$ 2.70	30299	\$ 2.70	30299	\$ 2.70
Burner Mounting Plate	58	30296	\$ 3.10	30296	\$ 3.10	30296	\$ 3.10
Lighting Instructions "CF"	N/A	91272	N/C	91272	N/C	91272	N/C

Mr. Contractor, we only sell parts through our wholesalers, but the prices listed above are for your convenience. For prompt parts service, contact the wholesaler from which you purchased your Cozy heater. **NOTE:** Parts & schematic drawings on current models are shown at www.cozyheaters.com.

REV. 07/99

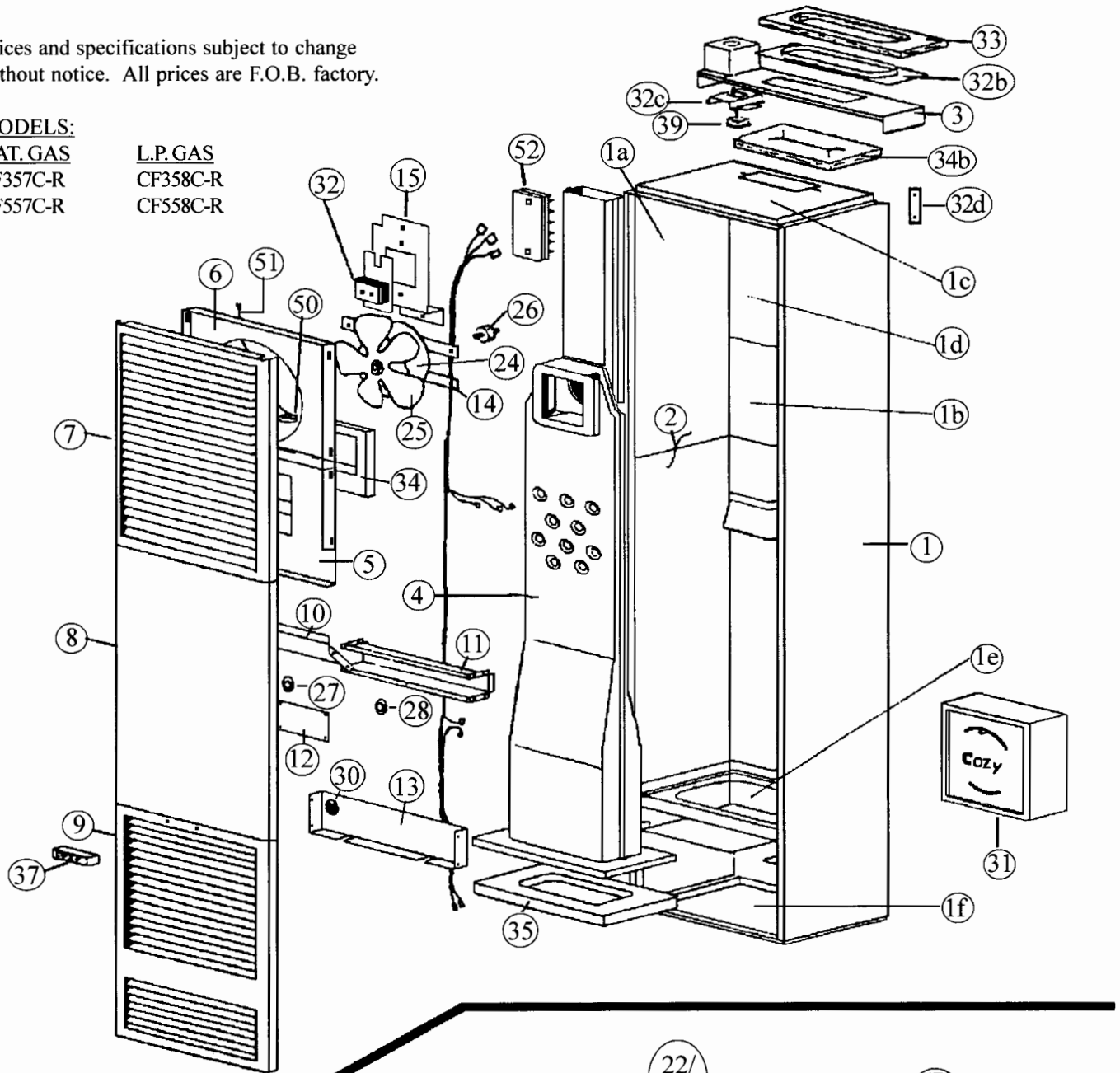
*REQUIRES TWO.

MARCH 2009

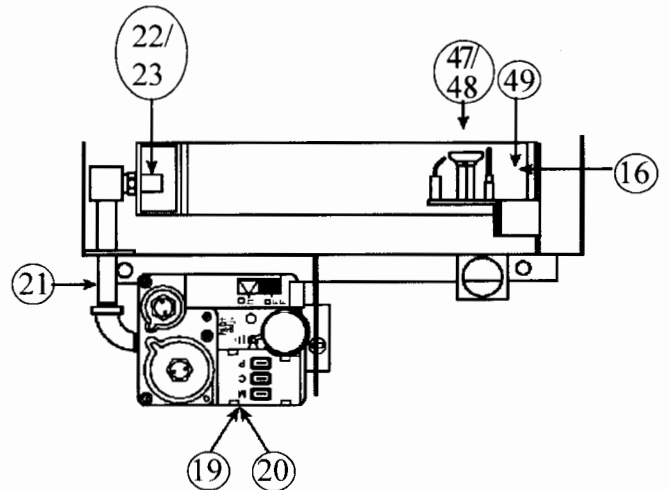
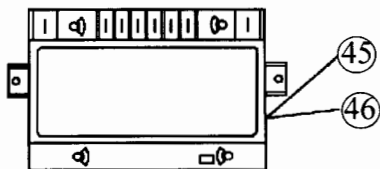
COUNTERFLOW WALL FURNACE / I.I.D. PILOT

Prices and specifications subject to change without notice. All prices are F.O.B. factory.

MODELS:
 NAT. GAS L.P. GAS
 CF357C-R CF358C-R
 CF557C-R CF558C-R



CONTROL ASSEMBLY

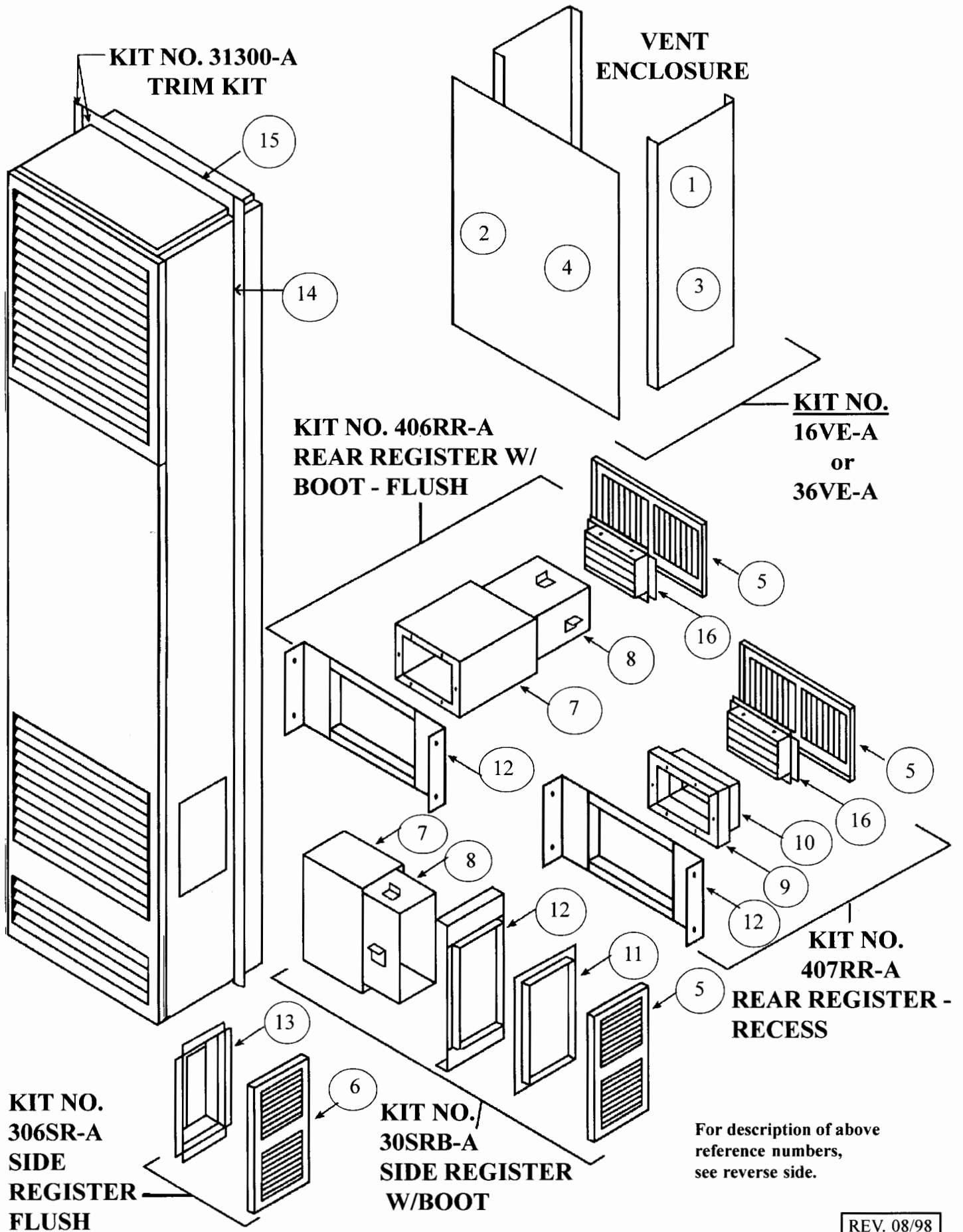


Mr. Contractor, we only sell parts through our wholesalers, but the prices listed are for your convenience. For prompt parts service, contact the wholesaler from which you purchased your Cozy heater. **NOTE:** Parts & schematic drawings on current models are shown at www.cozyheaters.com.

HOW TO PROPERLY ORDER PARTS: In addition to part description and part number, please give model number, serial number, and type of gas used. This information can be found on the rating plate that is attached to heater.

24 VOLT SYSTEM WITH INTERMITTENT IGNITION (I.I.D.)					
MODEL NUMBERS	NATURAL L.P.	CF357C-R CF358C-R		CF557C-R CF558C-R	
	REF. NUMBER	PART NUMBER	LIST PRICE	PART NUMBER	LIST PRICE
Casing Side, Right	1	30055	\$ 53.80	30525	\$ 58.00
Casing Side, Left	1a	30060	\$ 53.80	30530	\$ 58.00
Center Back Assembly	1b	30114	\$ 41.30	30544	\$ 40.90
Top Assembly	1c	30025	\$ 14.80	30025	\$ 14.80
Upper Back Assembly	1d	30070	\$ 24.80	30070	\$ 24.80
Lower Back Assembly	1e	30219	\$ 34.00	30219	\$ 34.00
Bottom	1f	30246	\$ 10.90	30246	\$ 10.90
Liner Assembly	2	30120	\$ 81.60	30550	\$ 89.30
Header Assembly Complete	3	31399	\$ 42.90	31399	\$ 42.90
Heat Exchanger Assembly	4	30133	\$ 234.40	30562	\$ 241.80
Draft Diverter Assembly	5	30180	\$ 34.90	30400	\$ 47.10
Fan Shroud Assembly	6	30200	\$ 24.10	30200	\$ 24.10
Top Louver w/Insulation	7	30087	\$ 19.60	30087	\$ 19.60
Center Front Panel w/Insulation	8	30089	\$ 27.70	30534	\$ 32.00
Bottom Louver Assembly w/Insulation	9	30100	\$ 35.20	30100	\$ 35.20
Upper Front Shield	10	30250	\$ 3.90	30250	\$ 3.90
Switch Box	11	30252	\$ 8.00	30450	\$ 8.10
Switch Box Cover	12	30253	\$ 3.10	30253	\$ 3.10
Lower Front Shield	13	30256	\$ 5.70	30256	\$ 5.70
Motor Mounting Bracket	14	*30079	\$ 2.30	*30079	\$ 2.30
Junction Box Cover	15	30033	\$ 4.10	30033	\$ 4.10
Burner	16	72107	\$ 42.50	72107	\$ 42.50
Valve, NATURAL - I.I.D. 72001PER	19	72092	\$ 143.60	72092	\$ 143.60
Valve, L.P. - I.I.D. 72001PER	20	72093	\$ 143.60	72093	\$ 143.60
Manifold	21	78006	\$ 13.70	78006	\$ 13.70
Orifice, Natural	22	72182	\$ 3.80	78161	\$ 3.80
Orifice, L.P.	23	95271	\$ 3.80	78168	\$ 3.80
Fan Motor	24	72108	\$ 82.30	78111	\$ 95.50
Fan Blade	25	78101	\$ 26.90	78101	\$ 26.90
Rubber Grommet	26	78010	\$ 3.40	78010	\$ 3.40
Limit Switch	27	78065	\$ 6.60	78065	\$ 6.60
Fan Switch 60T12-F120	28	78067	\$ 6.80	78067	\$ 6.80
Speed Switch F160-30	29	N/A	N/A	78066	\$ 9.90
Auxiliary Limit Switch 60TG15 350 Deg., Lower	30	78086	\$ 10.40	78086	\$ 10.40
Thermostat	31	78355	\$ 22.30	78355	\$ 22.30
Transformer	32	78069	\$ 26.20	78069	\$ 26.20
Flue Pipe Adapter	32b	40061	\$ 2.20	40061	\$ 2.20
Plug Bracket	32e	30047	\$ 2.10	30047	\$ 2.10
Casing Mounting Brackets	32d	*30260	\$ 1.40	*30260	\$ 1.40
Flue Pipe Gasket	33	78050	\$ 1.40	78050	\$ 1.40
Draft Diverter Gasket	34	78051	\$ 1.40	78051	\$ 1.40
Casing Top Gasket	34b	78155	\$ 1.40	78155	\$ 1.40
Element Support Gasket	35	78052	\$ 4.90	78052	\$ 4.90
Cozy Handle	37	84003	\$ 2.50	84003	\$ 2.50
Power Cord	38	78213	\$ 5.20	78213	\$ 5.20
Snap-in Outlet	39	78058	\$ 5.20	78058	\$ 5.20
Thermostat Wire	41	74518	\$ 1.50	74518	\$ 1.50
Ignition Control Box, NAT., SP715A	45	78070	\$ 116.30	78070	\$ 116.30
Ignition Control Box, L.P., SP845	46	78088	\$ 159.50	78088	\$ 159.50
Pilot Assembly, Electronic, NAT., 3S-24	47	72098	\$ 41.60	72098	\$ 41.60
Pilot Assembly, Electronic, L.P., 3S-24	48	72097	\$ 37.50	72097	\$ 37.50
Pilot Bracket, CF-IID	--	30299	\$ 2.70	30299	\$ 2.70
Sensor, S1	49	78073	\$ 18.20	78073	\$ 18.20
Blocked Flue Switch	50	78108	\$ 10.40	78109	\$ 10.40
Blocked Flue Switch Wire	51	78230	\$ 1.70	78230	\$ 1.70
Terminal Board	52	78300	\$ 5.60	78300	\$ 5.60
Pilot Tubing w/Fitting	--	78452	\$ 6.00	78452	\$ 6.00
Burner Pan Assembly	53	30286	\$ 17.70	30286	\$ 17.70
Valve Support Bracket Assembly	56	30290	\$ 5.20	30290	\$ 5.20
Pilot Mounting Bracket	57	30299	\$ 2.70	30299	\$ 2.70
Burner Mounting Plate	58	30296	\$ 3.10	30296	\$ 3.10
Lighting Instructions "CF"	--	91261	N/C	91261	N/C

Mr. Contractor, we only sell parts through our wholesalers, but the prices listed above are for your convenience. For prompt parts service, contact the wholesaler from which you purchased your Cozy heater. **NOTE:** Parts & schematic drawings on current models are shown at



PARTS LIST FOR ACCESSORIES FOR COUNTERFLOW WALL FURNACE

PART DESCRIPTION	REF. NO.	PART NO.	LIST PRICE
16" Vent Enclosure Side	1	31360	\$ 9.10
16" Vent Enclosure Front	2	31355	\$ 11.40
24" Vent Enclosure Side	1	31367	\$ 14.00
24" Vent Enclosure Front	2	31366	\$ 17.20
36" Vent Enclosure Side	3	31385	\$ 17.00
36" Vent Enclosure Front	4	31380	\$ 21.00
Side / Rear Register	5	31630	\$ 20.00
Side Register	6	31525	\$ 20.00
Large Outer Boot	7	31580	\$ 26.10
Large Inner Boot	8	31560	\$ 23.70
Small Outer Boot	9	31720	\$ 10.80
Small Inner Boot	10	31710	\$ 10.20
Boot Trim	11	31615	\$ 17.60
Plaster Ground	12	31595	\$ 12.90
Side Boot	13	31510	\$ 10.30
Cabinet Side Trim Angle	14	31310	\$ 5.90
Cabinet Top Trim	15	31320	\$ 5.10
Damper Assembly	16	31675	\$ 22.90

**REPLACEMENT WIRING - STANDING PILOT COUNTERFLOW
MODELS CF353C & CF354C**

Black 17-1/2" Fork Term ./with Stripped end Transformer (24 V. Side) to Thermostat	78200	\$ 1.70
Black 27" Flag Terminal/Flag Terminal Auxiliary Limit Switch to Valve	78205	\$ 2.20
Wiring Harness	78250	\$ 26.20

MODELS CF503C & CF504C

Black 17-1/2" Fork Term ./with stripped end Transformer (24 V.) to Thermostat	78200	\$ 1.70
Black 32" Flag Terminal/Flag Terminal Auxiliary Limit Switch - Valve	78216	\$ 2.10
Black 6" Flag Terminal/Flag Terminal Selector Switch - Fan Switch	78208	\$ 1.80
Wiring Harness	78251	\$ 26.20

MODELS CF653C & CF654C

Black 17-1/2" Fork Term ./with stripped end Transformer (24 V.) to Thermostat	78200	\$ 1.70
Black 32" Flag Terminal/Flag Terminal Auxiliary Limit Switch - Valve	78216	\$ 2.10
Black 6" Flag Terminal/Flag Terminal Selector Switch to Fan Switch	78208	\$ 1.80
Wiring Harness	78252	\$ 26.20

**REPLACEMENT WIRING - I.I.D. (INTERMITTENT IGNITION) COUNTERFLOW
MODELS CF357C & CF358C**

Black 17-1/2" Fork Term ./with stripped end Transformer (24V. Side) to Thermostat	78200	\$ 1.70
Black 30" Flag Terminal/Straight Terminal Auxiliary limit to ignition control box	78214	\$ 2.10
Wiring Harness	78259	\$ 26.20

MODELS CF557C & CF558C

Black 17-1/2" Fork Term ./with stripped end Transformer (24V.) to Thermostat	78200	\$ 1.70
Black 38" Flag Terminal/Straight Terminal Auxiliary limit to ignition control box	78258	\$ 2.50
Black 6" Flag Terminal/Flag Terminal Selector Swith - Fan Switch	78208	\$ 1.80
Wiring Harness	78257	\$ 29.90

Mr. Contractor, we only sell parts through our wholesalers, but the prices listed above are for your convenience. For prompt parts service, contact the wholesaler from which you purchased your Cozy heater.
NOTE: Parts & schematic drawings on current models are shown at www.cozyheaters.com.