

MODEL INCLUDED:

NAT. GAS L.P. GAS

BFT101 BFT102

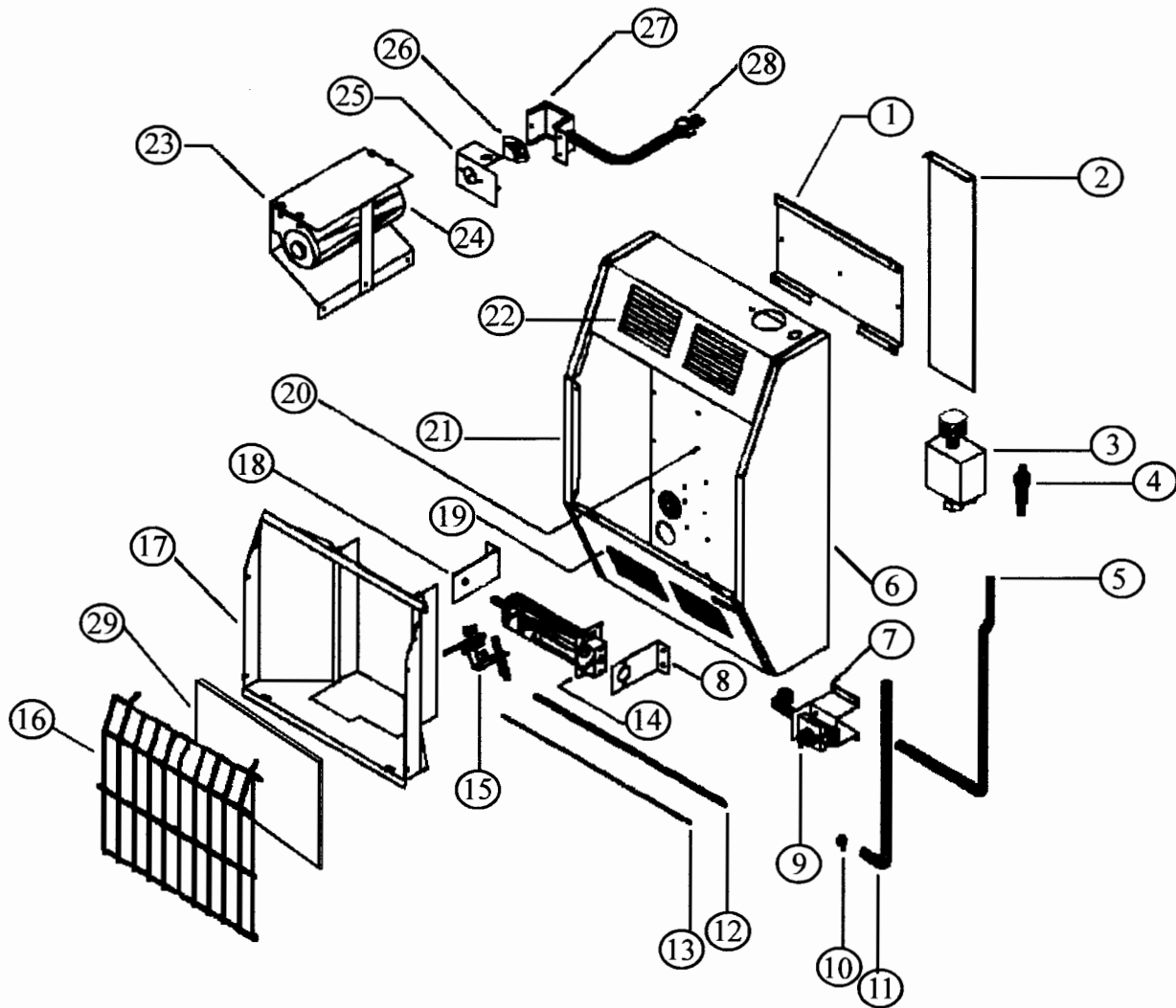
BFT201 BFT202

BFT301 BFT302

BLUE FLAME VENT FREE HEATER

PARTS LIST

Prices and specifications subject to change without notice. All prices are F.O.B. factory.



Mr. Contractor, we only sell parts through our wholesalers, but the prices listed are for your convenience. For prompt parts service, contact the wholesaler from which you purchased your Cozy heater. NOTE: parts & schematic drawings on current models are shown at www.cozyheaters.com.

REPLACEMENT PARTS LIST. TO ORDER REPLACEMENT PARTS YOU MUST GIVE MODEL NUMBER, SERIAL NUMBER, TYPE OF GAS USED, PART DESCRIPTION AND PART NUMBER.

MODEL NUMBERS	NAT. L.P.	BFT101		BFT201		BFT301	
		BFT102		BFT202		BFT302	
PART DESCRIPTION	REF. NO.	PART NO.	LIST PRICE	PART NO.	LIST PRICE	PART NO.	LIST PRICE
Wall Mounting Bracket	1	35220	\$ 7.40	35960	\$ 9.00	35960	\$ 9.00
Lighting Instruction Assembly	2	91373	\$ 2.90	91373	\$ 2.90	91373	\$ 2.90
Gas Valve VT-23100/18 - Nat. Gas	3	88186	\$ 97.20	88189	\$ 97.20	88188	\$ 97.20
Gas Valve VT-23100/18 - L.P. Gas	3	88187	\$ 97.20	88190	\$ 97.20	88189	\$ 97.20
Piezo Ignitor	4	80016	\$ 6.00	80016	\$ 6.00	80016	\$ 6.00
Gas Supply Tube	5	88046	\$ 6.40	88046	\$ 6.40	88046	\$ 6.40
Casing Right Side	6	35070	\$ 13.80	35070	\$ 13.80	35070	\$ 13.80
Regulator Support Bracket	7	35480	\$ 4.20	35480	\$ 4.20	35480	\$ 4.20
Right Burner Mounting Bracket	8	38090	\$ 3.00	38090	\$ 3.00	38090	\$ 3.00
Gas Regulator - Natural Gas	9	88029	\$ 14.20	88028	\$ 14.20	88028	\$ 14.20
Gas Regulator - L.P. Gas	9	88036	\$ 18.40	88032	\$ 18.40	88032	\$ 18.40
Main Burner Orifice - Natural Gas	10	84646	\$ 3.60	84639	\$ 3.60	84642	\$ 3.60
Main Burner Orifice - L.P. Gas	10	84645	\$ 3.60	80026	\$ 3.60	84644	\$ 3.60
Manifold	11	88495	\$ 21.00	88495	\$ 21.00	88495	\$ 21.00
Pilot Tubing Assembly	12	88013	\$ 4.90	88013	\$ 4.90	88013	\$ 4.90
Electrode Wire 30"	13	88070	\$ 2.90	88070	\$ 2.90	88070	\$ 2.90
Burner	14	88520	\$ 54.20	88522	\$ 56.60	88521	\$ 59.10
ODS/Pilot - Natural Gas	15	88164	\$ 21.30	88164	\$ 21.30	88164	\$ 21.30
ODS/Pilot - L.P. Gas	15	88165	\$ 21.30	88165	\$ 21.30	88165	\$ 21.30
Wire Guard	16	88501	\$ 29.50	88503	\$ 34.40	88502	\$ 39.40
Bezel Assembly	17	38050	\$ 54.30	38350	\$ 60.60	38550	\$ 66.90
Left Burner Mounting Bracket	18	38095	\$ 3.00	38095	\$ 3.00	38095	\$ 3.00
Bottom Front Panel	19	35360	\$ 11.20	35860	\$ 13.00	36360	\$ 14.50
Casing Back	20	35420	\$ 21.30	35925	\$ 21.00	36420	\$ 30.30
Casing Left Side	21	35060	\$ 13.80	35060	\$ 13.80	35060	\$ 13.80
Top Front Panel	22	35350	\$ 11.90	35855	\$ 19.70	36350	\$ 15.30
Blower Housing	23	N/A	N/A	37025	\$ 13.70	37025	\$ 13.70
Blower/Motor Assembly	24	N/A	N/A	88250	\$ 61.50	88250	\$ 61.50
Junction Box	25	N/A	N/A	37075	\$ 6.40	37075	\$ 6.40
Fan Switch	26	N/A	N/A	88240	\$ 6.20	88240	\$ 6.20
Junction Box Cover	27	N/A	N/A	37085	\$ 8.20	37085	\$ 8.20
Power Cord	28	N/A	N/A	80202	\$ 4.40	80202	\$ 4.40
Glass, Blue Flame	29	88510	\$ 28.20	88512	\$ 40.50	88511	\$ 52.90

Mr. Contractor, we only sell parts through our wholesalers, but the prices listed above are for your convenience. For prompt parts service, contact the wholesaler from which you purchased your Cozy heater.
NOTE: Parts & schematic drawings on current models are shown at www.cozyheaters.com.

MARCH 2007