

**MODEL INCLUDED:**

**NAT. GAS**      **L.P. GAS**

**BFT101**      **BFT102**

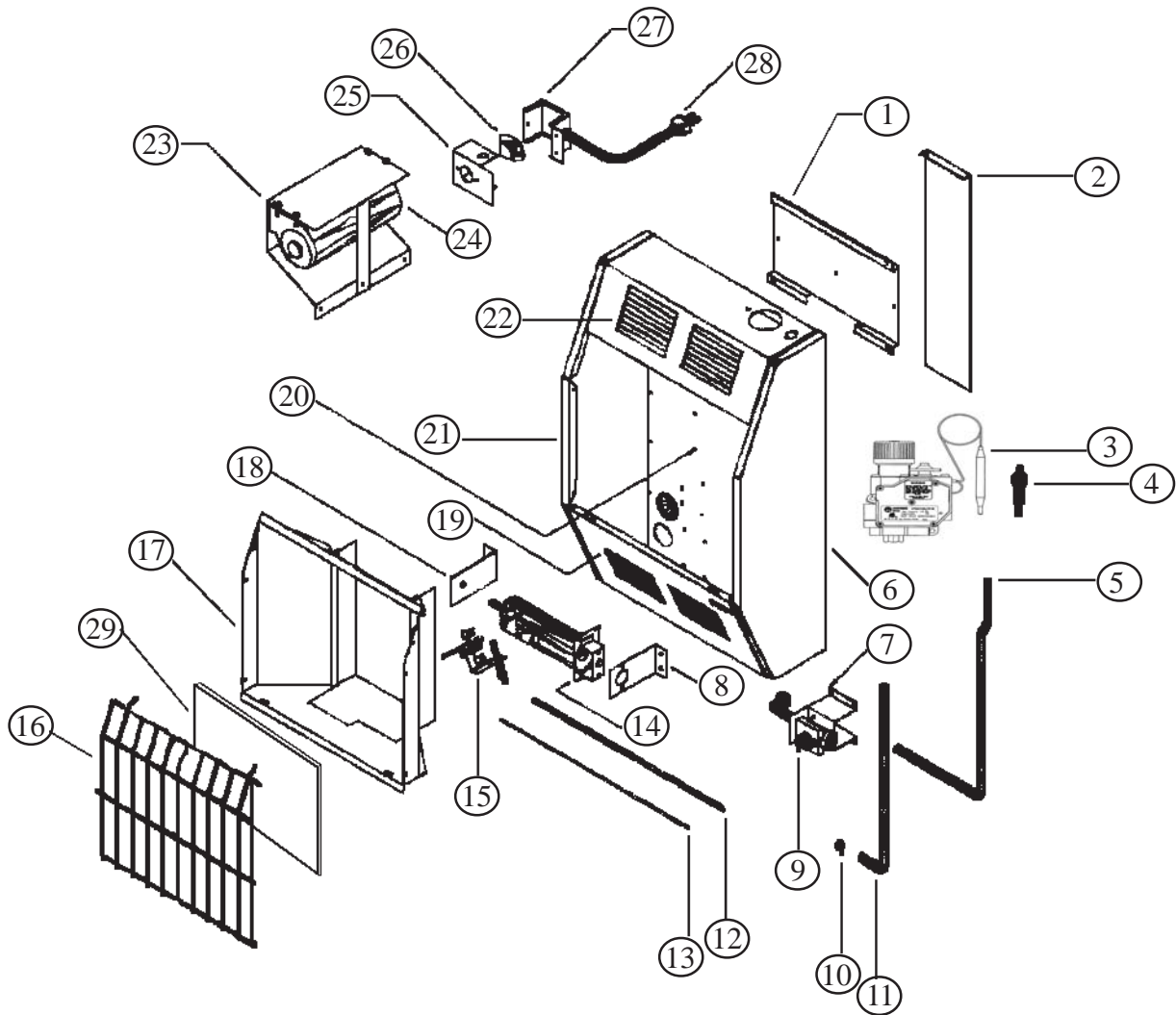
**BFT201**      **BFT202**

**BFT301**      **BFT302**

**BLUE FLAME VENT FREE HEATER**

**PARTS LIST**

Prices and specifications subject to change without notice. All prices are F.O.B. factory.



**ATTN: CONTRACTORS AND SERVICE TECHNICIANS,**  
we only sell parts through our wholesalers, but the prices listed are for your convenience. For prompt parts service, contact the wholesaler from which you purchased your Cozy heater. **NOTE:** parts & schematic drawings on current models are shown at [www.cozyheaters.com](http://www.cozyheaters.com).

**REPLACEMENT PARTS LIST.** TO ORDER REPLACEMENT PARTS YOU MUST GIVE MODEL NUMBER, SERIAL NUMBER, TYPE OF GAS USED, PART DESCRIPTION AND PART NUMBER.

MODEL NUMBERS	NAT.	BFT101		BFT201		BFT301	
	L.P.	BFT102		BFT202		BFT302	
PART DESCRIPTION	REF. NO.	PART NO.	LIST PRICE	PART NO.	LIST PRICE	PART NO.	LIST PRICE
<b>THE PARTS LISTED BELOW WERE USED ON HEATERS WITH SERIAL NUMBERS 0216---- &amp; 0716---- (2002 &amp; 0716 TO PRESENT.) (Check BLOCK 2 below for different parts used on 2003 through 2006).</b>							
Wall Mounting Bracket	1	35220	\$ 8.20	35960	\$ 10.00	35960	\$ 10.00
Lighting Instruction Assembly	2	91373	\$ 3.30	91373	\$ 3.30	91373	\$ 3.30
Gas Valve 0.630.531 Nat. & L.P. (SIT)	3	88174	\$ 175.10	88174	\$ 175.10	88174	\$ 175.10
Piezo Ignitor	4	80016	\$ 6.70	80016	\$ 6.70	80016	\$ 6.70
Gas Supply Tube	5	88046	\$ 7.10	88046	\$ 7.10	88046	\$ 7.10
Casing Right Side	6	35070	\$ 15.30	35070	\$ 15.30	35070	\$ 15.30
Regulator Support Bracket	7	35480	\$ 4.70	35480	\$ 4.70	35480	\$ 4.70
Right Burner Mounting Bracket	8	38090	\$ 3.40	38090	\$ 3.40	38090	\$ 3.40
Gas Regulator - <b>Natural Gas</b>	9	88029	\$ 15.90	88028	\$ 15.90	88028	\$ 15.90
Gas Regulator - <b>L.P. Gas</b>	9	88036	\$ 20.50	88032	\$ 20.50	88032	\$ 20.50
Main Burner Orifice - <b>Natural Gas</b>	10	84646	\$ 4.00	84639	\$ 4.00	84642	\$ 4.00
Main Burner Orifice - <b>L.P. Gas</b>	10	84645	\$ 4.00	80026	\$ 4.00	84644	\$ 4.00
Manifold	11	88500	\$ 21.90	88500	\$ 21.90	88500	\$ 21.90
Pilot Tubing Assembly	12	88013	\$ 5.50	88013	\$ 5.50	88013	\$ 5.50
Electrode Wire 30"	13	88070	\$ 3.30	88070	\$ 3.30	88070	\$ 3.30
Burner	14	88520	\$ 60.40	88522	\$ 63.00	88521	\$ 65.70
*ODS/Pilot - <b>Natural Gas</b>	15	88164	\$ 23.70	88164	\$ 23.70	88164	\$ 23.70
*ODS/Pilot - <b>L.P. Gas</b>	15	88165	\$ 23.70	88165	\$ 23.70	88165	\$ 23.70
Wire Guard	16	88501	\$ 32.90	88503	\$ 38.30	88502	\$ 43.90
Bezel Assembly	17	38050	\$ 60.50	38350	\$ 67.40	38550	\$ 74.40
Left Burner Mounting Bracket	18	38095	\$ 3.40	38095	\$ 3.40	38095	\$ 3.40
Bottom Front Panel	19	35360	\$ 12.50	35860	\$ 14.50	36360	\$ 16.20
Casing Back	20	35420	\$ 23.70	35925	\$ 23.40	36420	\$ 33.70
Casing Left Side	21	35060	\$ 15.30	35060	\$ 15.30	35060	\$ 15.30
Top Front Panel	22	35350	\$ 13.20	35850	\$ 14.80	36350	\$ 17.00
Blower Housing	23	N/A	N/A	37025	\$ 15.20	37025	\$ 15.20
Blower/Motor Assembly	24	N/A	N/A	88250	\$ 68.50	88250	\$ 68.50
Junction Box	25	N/A	N/A	37075	\$ 7.10	37075	\$ 7.10
Fan Switch	26	N/A	N/A	88240	\$ 6.90	88240	\$ 6.90
Junction Box Cover	27	N/A	N/A	37085	\$ 9.10	37085	\$ 9.10
Power Cord	28	N/A	N/A	80202	\$ 4.90	80202	\$ 4.90
Glass, Blue Flame	29	88510	\$ 31.40	88512	\$ 45.00	88511	\$ 58.90

\* CURRENT ODS PILOT (88164 [NAT.] & 88165 [L.P.]) RETRO FITS ALL PILOTS. **YOU MAY OR MAY NOT NEED TO USE PART NO. 88053 3/16 COMPRESSION NUT W/FERRULE (PROVIDED).**

<b>THE PARTS LISTED BELOW WERE USED ON HEATERS WITH SERIAL NUMBERS 0316---- THROUGH 0616----. FOR THESE OLDER HEATERS, THE PARTS LISTED BELOW ARE NEEDED FOR REPLACEMENT.</b>							
Valve, VT-23100/18, <u>Nat.</u> (Copreci)	3	88186	\$ 108.00	88189	\$ 108.00	88188	\$ 108.00
Valve, VT-23100/18, <u>L.P.</u> (Copreci)	3	88187	\$ 108.00	88190	\$ 108.00	88189	\$ 108.00
Manifold	11	88495	\$ 23.40	88495	\$ 23.40	88495	\$ 23.40
Top Front Panel	22	35350	\$ 13.20	35855	\$ 21.90	36350	\$ 17.00

**ATTN: CONTRACTORS AND SERVICE TECHNICIANS,** we only sell parts through our wholesalers, but the prices listed above are for your convenience. For prompt parts service, contact the wholesaler from which you purchased your Cozy heater. NOTE: Parts & schematic drawings on current models are shown at [www.cozyheaters.com](http://www.cozyheaters.com).