

DIRECT VENT GAS BASEBOARD HEATER

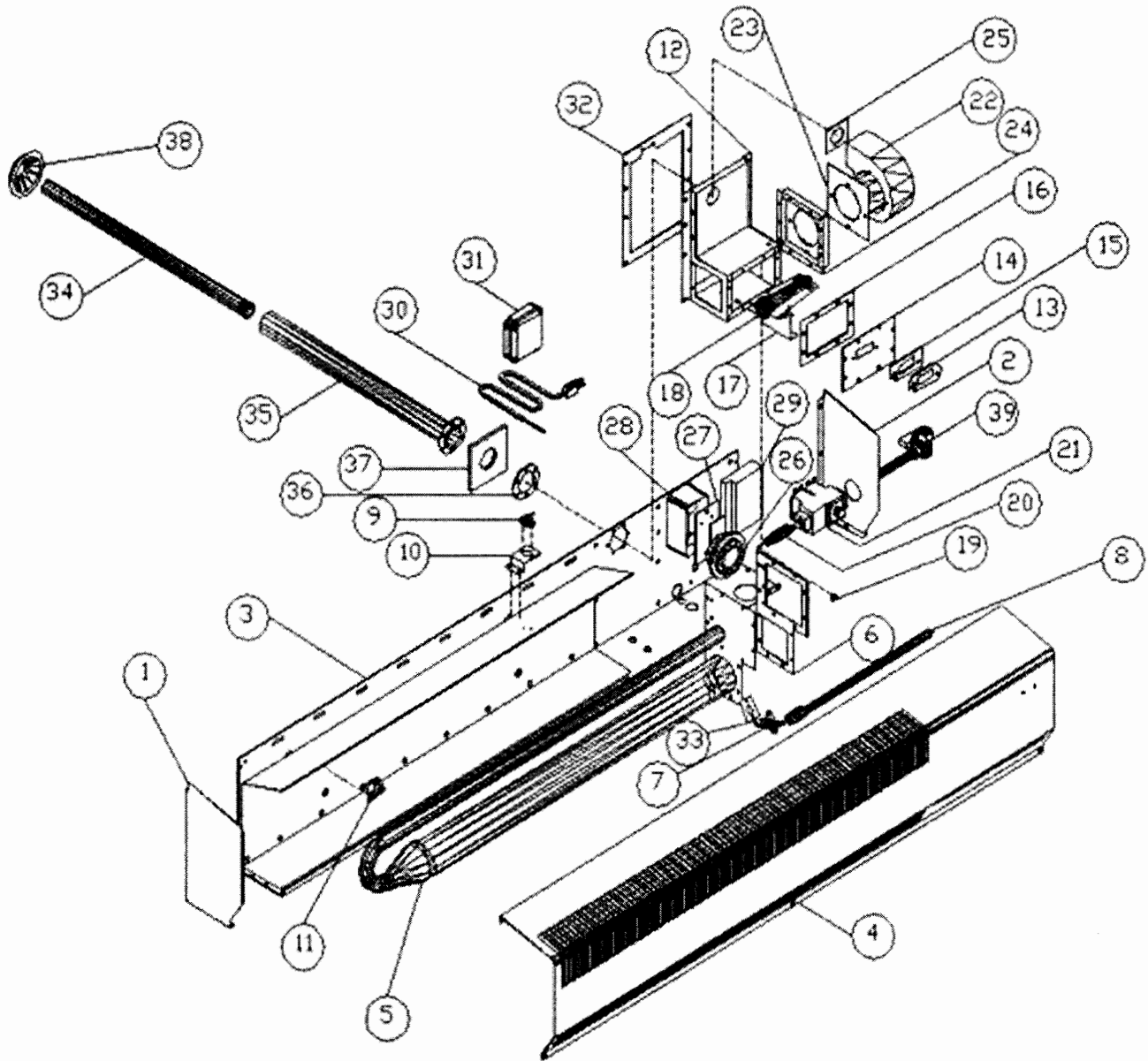
MODEL NUMBERS

BBT53 / BBT103 - NAT. GAS

BBT54 / BBT104 - L.P. GAS

Prices and specifications subject
to change without notice.

All prices are F.O.B. factory.



Mr. Contractor, we only sell parts through our wholesalers, but the prices listed are for your convenience. For prompt parts service, contact the wholesaler from which you purchased your Cozy heater. **NOTE:** Parts prices & schematic drawings on current models are shown at www.cozyheaters.com.

HOW TO PROPERLY ORDER PARTS: In addition to part description and part number, please give model number, serial number, and type of gas used. This information can be found on the rating plate located inside the cabinet cover.

MODEL NUMBER	NAT.	BBT53		BBT103	
MODEL NUMBER	L.P.	BBT54		BBT104	
	REF.	PART	LIST	PART	LIST
PART DESCRIPTION	NO.	NO.	PRICE	NO.	PRICE
End Cap, Left	1	21045	\$ 11.80	21045	\$ 11.80
End Cap, Right	2	21040	\$ 11.80	21040	\$ 11.80
Cabinet Base	3	21055	\$ 79.30	21555	\$ 107.60
Cabinet Cover	4	21030	\$ 56.80	21530	\$ 80.50
Heat Exchanger	5	21175	\$ 208.20	21675	\$ 218.10
Heat Exchanger Gasket	6	64151	\$ 7.00	64151	\$ 7.00
Igniter	7	64009	\$ 24.90	64009	\$ 24.90
Igniter Cable	8	64210	\$ 18.60	64210	\$ 18.60
Limit Switch	9	64086	\$ 5.90	64085*	\$ 5.90
Limit Switch Bracket	10	21125	\$ 2.50	21125*	\$ 2.50
Limit Switch Wire 27" White	N/A	64200	\$ 1.50	64200	\$ 1.50
Limit Switch Wire 26" White	N/A	64202	\$ 1.30	N/A	N/A
Limit Switch Wire 46" White	N/A	N/A	N/A	64198	\$ 2.00
Limit Switch Wire 17" White	N/A	N/A	N/A	64199	\$ 1.30
Heat Exchanger Clamp	11	64011	\$ 1.30	64011	\$ 1.30
Burner Box / Air Drop	12	21065	\$ 37.80	21065	\$ 37.80
Sight Glass	13	43252	\$ 7.20	43252	\$ 7.20
Burner Access Plate	14	21115	\$ 4.80	21115	\$ 4.80
Sight Glass Gasket	15	72067	\$ 1.70	72067	\$ 1.70
Burner Access Plate Gasket	16	64150	\$ 3.40	64150	\$ 3.40
Burner Support Bracket	17	21130	\$ 4.80	21130	\$ 4.80
Burner	18	64005	\$ 14.80	64004	\$ 11.60
Burner Orifice, Natural Gas	19	95315	\$ 3.80	64252	\$ 3.80
Burner Orifice, L.P. Gas	19	64251	\$ 3.80	64253	\$ 3.80
Manifold	20	64008	\$ 19.90	64008	\$ 19.90
Gas Valve, Natural Gas	21	64105	\$ 94.30	64105	\$ 94.30
Gas Valve, L.P. Gas	21	64106	\$ 94.30	64106	\$ 94.30
Draft Inducer	22	64076±	\$ 120.80	64076±	\$ 120.80
Draft Inducer Gasket	23	64152	\$ 3.20	64152	\$ 3.20
Draft Inducer Mounting Plate	24	21140	\$ 23.70	21140	\$ 23.70
Draft Inducer Outlet Gasket	25	64154	\$ 1.80	64154	\$ 1.80
Pressure Switch	26	64066±	\$ 22.60	64067±	\$ 22.60
Junction Box Cover	27	64053	\$ 2.20	64053	\$ 2.20
Junction Box	28	78059	\$ 4.70	78059	\$ 4.70
Control Module	29	64007	\$ 194.00	64007	\$ 194.00
Thermostat Wire Lead 6" Purple	N/A	64215	\$ 1.30	64215	\$ 1.30
(Pos. +) Gas Valve 8" Red	N/A	64216	\$ 1.80	64216	\$ 1.80
(Neg. -) Gas Valve 7" Dark Blue	N/A	64217	\$ 1.60	64217	\$ 1.60
Pressure Switch 8-1/2" White	N/A	64218	\$ 1.30	64218	\$ 1.30
Pressure Switch 11" Black	N/A	64219	\$ 1.50	64219	\$ 1.50
Power Cord Connector 5-1/2" Black	N/A	64220	\$ 1.30	64220	\$ 1.30
Ground 9" Green	N/A	64221	\$ 1.30	64221	\$ 1.30
Power Cord	30	80202	\$ 4.70	64205	\$ 6.30
Thermostat Wire	N/A	74518	\$ 1.50	74518	\$ 1.50
Thermostat	31	78355	\$ 22.30	78355	\$ 22.30
Air Box Gasket	32	64153	\$ 10.70	64153	\$ 10.70
Vent Exhaust Tube	34	64015	\$ 75.70	64015	\$ 75.70
Air Intake Tube Assembly	35	21150	\$ 47.30	21150	\$ 47.30
Air Intake Tube Gasket	36	64020	\$ 1.40	64020	\$ 1.40
Indoor Intake Gasket	37	64155	\$ 1.90	64155	\$ 1.90
Weather Seal	38	64405	\$ 11.90	64405	\$ 11.90
Hex Gas Line/Shut-off Valve Assembly	39	64072	\$ 27.30	64072	\$ 27.30

± STARTING WITH 2008 PRODUCTION WE HAVE CHANGED THE DRAFT INDUCER AND PRESSURE SWITCHES. WHEN ORDERING A REPLACEMENT DRAFT INDUCER FOR 2007 & OLDER HEATERS, YOU MUST REPLACE BOTH THE DRAFT INDUCER & PRESSURE SWITCH.

Mr. Contractor, we only sell parts through our wholesalers, but the prices listed above are for your convenience. For prompt parts service, contact the wholesaler from which you purchased your Cozy heater. NOTE: Parts & schematic drawings on current models are shown at www.cozyheaters.com