

DIRECT VENT GAS BASEBOARD HEATER

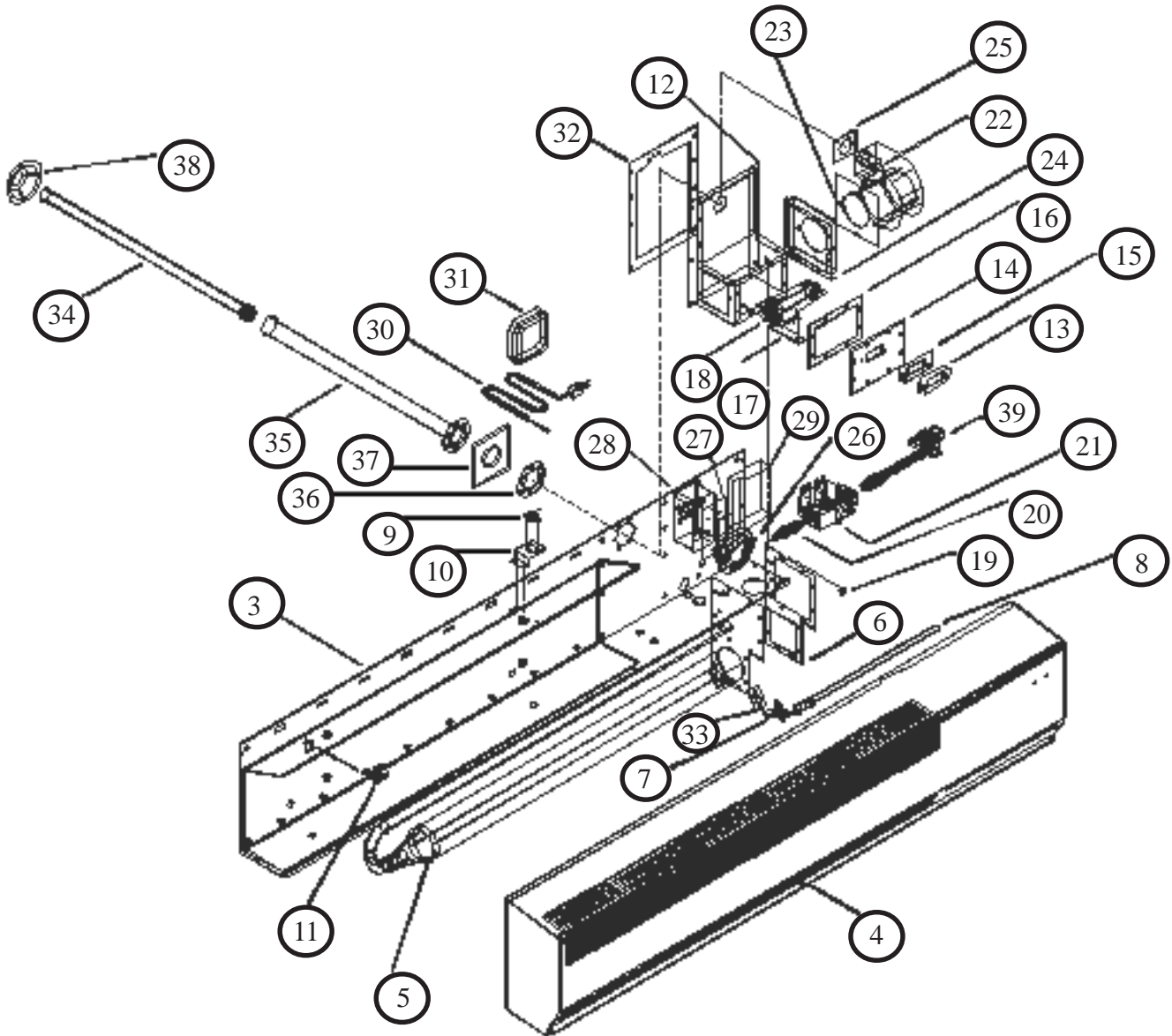
MODEL NUMBERS

BBT53 / BBT103 - NAT. GAS

BBT54 / BBT104 - L.P. GAS

Prices and specifications subject
to change without notice.

All prices are F.O.B. factory.



ATTN: CONTRACTOR and SERVICE TECHNICIANS, we only sell parts through our wholesalers, but the prices listed are for your convenience. For prompt parts service, contact the wholesaler from which you purchased your Cozy heater. **NOTE:** Parts prices & schematic drawings on current models are shown at www.cozyheaters.com.

HOW TO PROPERLY ORDER PARTS: In addition to part description and part number, please give model number, serial number, and type of gas used. This information can be found on the rating plate located inside the cabinet cover.

	NAT.	BBT53		BBT103	
MODEL NUMBER	L.P.	BBT54		BBT104	
	REF.	PART	LIST	PART	LIST
PART DESCRIPTION	NO.	NO.	PRICE	NO.	PRICE
Cabinet Base	3	21055	\$ 83.30	21555	\$ 113.00
Cabinet Cover Assembly w/End Caps	4	21025	\$ 167.00	21525	\$ 213.00
Heat Exchanger	5	21175	\$ 218.60	21675	\$ 229.00
Heat Exchanger Gasket - 7-7/8x4-25/32"	6	64151	\$ 7.40	64151	\$ 7.40
Igniter	7	64009	\$ 26.10	64009	\$ 26.10
Igniter Cable	8	64210	\$ 19.50	64210	\$ 19.50
Limit Switch	9	64086	\$ 6.20	*64085	\$ 6.20
Limit Switch Bracket	10	21125	\$ 2.60	*21125	\$ 2.60
Limit Switch Wire 27" White	N/A	64200	\$ 1.60	64200	\$ 1.60
Limit Switch Wire 26" White	N/A	64202	\$ 1.40	N/A	N/A
Limit Switch Wire 46" White	N/A	N/A	N/A	64198	\$ 2.10
Limit Switch Wire 17" White	N/A	N/A	N/A	64199	\$ 1.40
Heat Exchanger Clamp	11	64011	\$ 1.40	64011	\$ 1.40
Burner Box/ Air Drop Assembly	12	21067	\$ 39.70	21067	\$ 39.70
Sight Glass Assembly	13	43252	\$ 7.60	43252	\$ 7.60
Burner Access Plate	14	21115	\$ 5.00	21115	\$ 5.00
Sight Glass Gasket - 1-3/8x3"	15	72067	\$ 1.80	72067	\$ 1.80
Burner Access Plate Gasket - 3-1/2x5"	16	64150	\$ 3.60	64150	\$ 3.60
Burner Support Bracket	17	21130	\$ 5.00	21130	\$ 5.00
Burner	18	64005	\$ 15.50	64004	\$ 12.20
Burner Orifice, Natural Gas	19	95315	\$ 4.00	64252	\$ 4.00
Burner Orifice, L.P. Gas	19	64251	\$ 4.00	64253	\$ 4.00
Manifold	20	64008	\$ 20.90	64008	\$ 20.90
Gas Valve, Natural Gas, CV200 - 110 Volt	21	64105	\$ 99.00	64105	\$ 99.00
Gas Valve, L.P. Gas, CV200 - 110 Volt	21	64106	\$ 99.00	64106	\$ 99.00
Draft Inducer	22	±64081	\$ 191.00	±64081	\$ 191.00
Draft Inducer Gasket - 4-1/16x3-29/32"	23	64152	\$ 3.40	64152	\$ 3.40
Draft Inducer Mounting Plate	24	21140	\$ 24.90	21140	\$ 24.90
Draft Inducer Outlet Gasket - 2-1/8x1-3/4"	25	64154	\$ 1.90	64154	\$ 1.90
Oil for Draft Inducer	N/A	64083	\$ 5.70	64083	\$ 5.70
Pressure Switch	26	±64066	\$ 23.70	±64067	\$ 23.70
Junction Box Cover	27	64053	\$ 2.30	64053	\$ 2.30
Junction Box	28	78059	\$ 4.90	78059	\$ 4.90
Control Module	29	64007	\$ 203.70	64007	\$ 203.70
Thermostat Wire Lead 6" Purple	N/A	64215	\$ 1.40	64215	\$ 1.40
(Pos. +) Gas Valve 8" Red	N/A	64216	\$ 1.90	64216	\$ 1.90
(Neg. -) Gas Valve 7" Dark Blue	N/A	64217	\$ 1.70	64217	\$ 1.70
Pressure Switch 8-1/2" White	N/A	64218	\$ 1.40	64218	\$ 1.40
Pressure Switch 11" Black	N/A	64219	\$ 1.60	64219	\$ 1.60
Power Cord Connector 5-1/2" Black	N/A	64220	\$ 1.40	64220	\$ 1.40
Ground 9" Green	N/A	64221	\$ 1.40	64221	\$ 1.40
Power Cord	30	80202	\$ 4.90	64205	\$ 6.60
Thermostat Wire	N/A	74518	\$ 1.60	74518	\$ 1.60
Thermostat	31	78355	\$ 23.40	78355	\$ 23.40
Vacuum Tube 24" 1/4X3/8" Silicone Tubing	N/A	72544	\$ 2.10	72544	\$ 2.10
Air Box Gasket - 8-3/4x6-1/2"	32	64153	\$ 11.20	64153	\$ 11.20
Vent Exhaust Tube	34	64015	\$ 79.50	64015	\$ 79.50
Air Intake Tube Assembly	35	21150	\$ 49.70	21150	\$ 49.70
Air Intake Tube Gasket - 2-1/2" Circle	36	64020	\$ 1.50	64020	\$ 1.50
Indoor Intake Gasket - 3-3/4x3-3/4"	37	64155	\$ 2.00	64155	\$ 2.00
Weather Seal	38	64405	\$ 12.50	64405	\$ 12.50
Flex Gas Line/Shut-off Valve Assembly	39	64072	\$ 28.70	64072	\$ 28.70

±Units with "11" lead Serial Numbers.

Units with "10" lead Serial Numbers or Older (see below):

64075 Inducer - "07" and older - Order 21775 "BBIK" and new pressure switch (#64066 on BBT53/4) OR (64067 on BBT103/4)

64076 Inducer - "08" - "10" Serial Numbers - Order 21775 "BBIK" Kit.

ATTN: CONTRACTOR and SERVICE TECHNICIANS, we only sell parts through our wholesalers, but the prices listed above are for your convenience. For prompt parts service, contact the wholesaler from which you purchased your Cozy heater. NOTE: Parts & schematic drawings on current models are shown at www.cozyheaters.com