

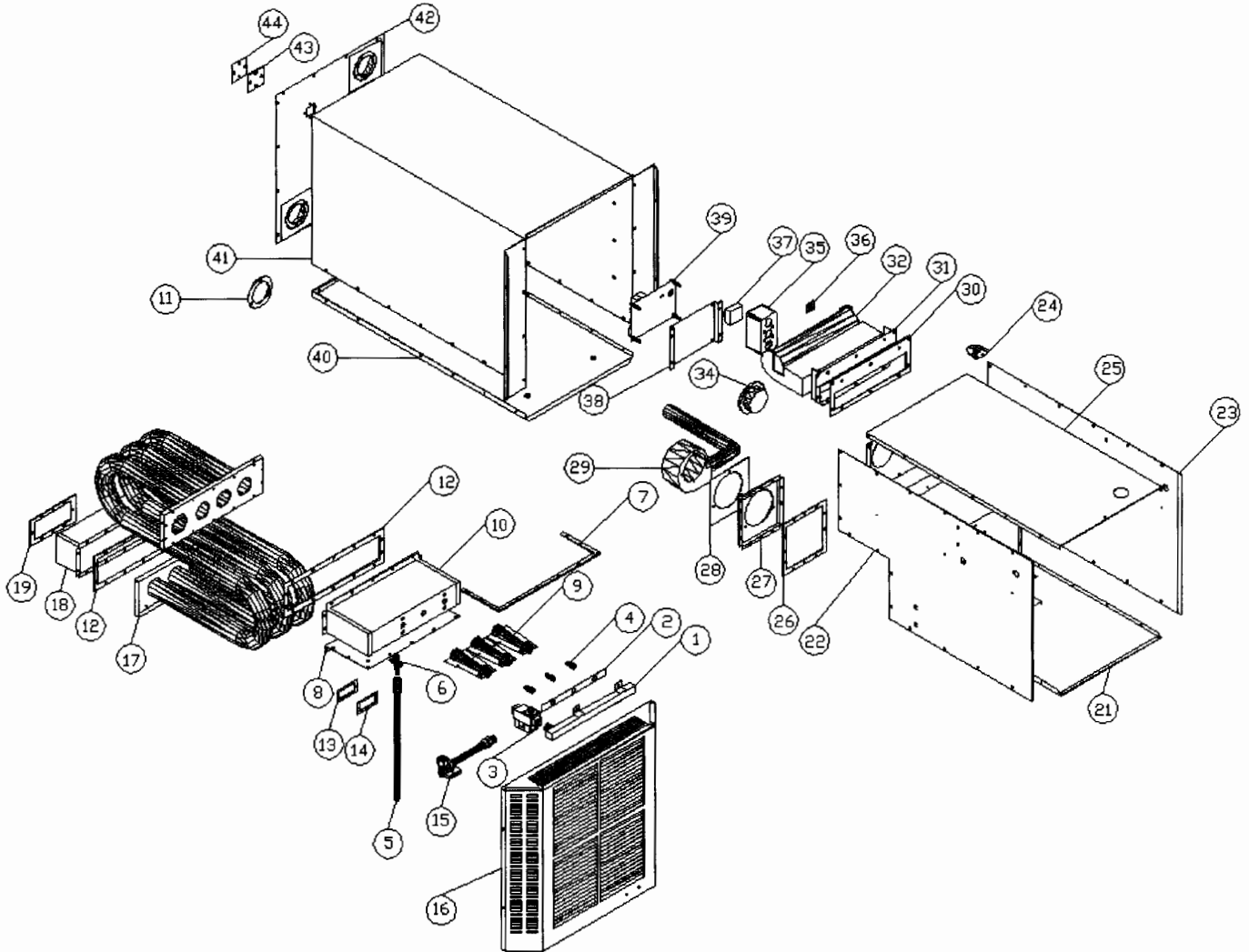
**MODEL NUMBERS**

**NAT. GAS L.P. GAS**

WOW253    WOW254

**FAN-TYPE, DIRECT-VENT  
THROUGH-THE-WALL GAS HEATER**

Prices and specifications subject to change without notice. All prices are F.O.B. factory.



**WOW253/  
WOW254**

**Mr. Contractor,** we only sell parts through our wholesalers, but the prices listed are for your convenience. For prompt parts service, contact the wholesaler from which you purchased your Cozy heater. NOTE: Parts prices & schematic drawings on current models are shown at [www.cozyheaters.com](http://www.cozyheaters.com).

**HOW TO PROPERLY ORDER PARTS:** In addition to part description and part number, please give model number, serial number, and type of gas used. This information can be found on the rating plate located inside the cabinet cover.

MODEL NUMBER	NAT.	WOW253	
MODEL NUMBER	L.P.	WOW254	
PART DESCRIPTION	REF. NO.	PART NO.	LIST PRICE
Manifold	1	64501	\$ 76.60
Manifold Gasket	2	64665	\$ 2.20
Gas Valve, Natural Gas	3	64590	\$ 81.10
Gas Valve, L.P. Gas	3	64591	\$ 81.10
Burner Orifice, Natural Gas	4	64509**	\$ 3.80
Burner Orifice, L.P. Gas	4	64508**	\$ 3.80
Ignitor Cable 32"	5	64211	\$ 19.20
Ignitor	6	64009	\$ 24.90
Burner Box Bottom	7	20270	\$ 4.80
Burner Box Bottom Gasket	8	64662	\$ 9.60
Burner	9	64515**	\$ 8.30
Burner Box (No Burners)	10	20240	\$ 53.30
Inlet/Outlet Flange Gasket	11	64655***	\$ 2.10
Burner/Collection Box Gasket	12	64652	\$ 8.10
Sight Glass Gasket	13	64664	\$ 1.80
Sight Glass Assembly	14	20275	\$ 8.70
Flex Gas Line/Manual Cutoff	15	64072	\$ 27.30
Front Panel Assembly	16	20020	\$ 43.10
Heat Exchanger	17	64503	\$ 245.90
Collection Box	18	20185	\$ 47.40
Liner/Collection Box Gasket	19	64660	\$ 3.10
Liner, Left Side Extension	20	N/A	N/A
Liner, Base Assembly	21	20100	\$ 35.60
Liner, Left Side Assembly	22	20125	\$ 26.70
Liner, Right Side Assembly	23	20115	\$ 26.70
Limit Switch	24	64517	\$ 9.20
Liner, Top Assembly	25	20085	\$ 22.50
Draft Inducer Mounting Plate Gasket	26	64653	\$ 4.20
Draft Inducer Mounting Plate	27	20170	\$ 23.20
Draft Inducer Gasket	28	64654	\$ 4.00
Draft Inducer	29	64511	\$ 216.20
Circulating Blower Gasket	30	64658	\$ 2.30
Circulating Blower Mounting Bracket Assy.	31	20150	\$ 7.20
Circulating Blower	32	64531	\$ 216.20
Pressure Switch Mounting Bracket	33	N/A	N/A
Pressure Switch	34	64594	\$ 22.60
Junction Box	35	78059	\$ 4.70
Terminal Board	36	64596	\$ 4.00
Transformer	37	78069	\$ 26.20
Circuit Board Mounting Bracket	38	20175	\$ 4.60
Circuit Board	39	64625	\$ 237.10
Casing Base	40	20075	\$ 24.70
Casing Wrapper	41	20070	\$ 65.20
Casing Back Assembly	42	20045	\$ 42.40
Back Cover Plate Gasket	43	64659	\$ 1.20
Back Cover Plate	44	20060	\$ 4.70
Caulking	N/A	70151	\$ 2.70
9' Power Cord	N/A	64205	\$ 6.30
Weatherstripping	N/A	64657	\$ 4.80
Wiring Harness	N/A	64669	\$ 16.90
20' Thermostat Wire	N/A	74518	\$ 1.50
Thermostat 24V	N/A	78355	\$ 22.30
Mounting Support Brackets (Set of 2)	N/A	20355	\$ 26.80
Window Enclosure Panels Set/2	N/A	20360	\$ 19.30
Valve Shield Assembly	N/A	20310	\$ 14.60

**Mr. Contractor,** we only sell parts through our wholesalers, but the prices listed above are for your convenience. For prompt parts service, contact the wholesaler from which you purchased your Cozy heater. NOTE: Parts & schematic drawings on current models are shown at [www.cozyheaters.com](http://www.cozyheaters.com).

\* REQUIRES 5

/

\*\* REQUIRES 3 /

\*\*\* REQUIRES 2

MARCH 2009

REPLACEMENT WIRING					
FOR					
WOW253, WOW254, WOW403, AND WOW404					
MODEL NUMBER	NAT.	WOW253		WOW403	
MODEL NUMBER	L.P.	WOW254		WOW404	
PART DESCRIPTION	REF. NO.	PART NO.	LIST PRICE	PART NO.	LIST PRICE
30" Black Inducer Wire	N/A	N/A	N/A	64667	\$ 1.50
12" Black Inducer Wire	N/A	N/A	N/A	64668	\$ 1.30
6" Brown wire - circuit board to blower #1	N/A	N/A	N/A	64671	\$ 1.30
16" Black wire - terminal board to blower #1	N/A	N/A	N/A	64672	\$ 1.40
24" Grey wire - circuit board to blower #2	N/A	64674	\$ 1.50	64674	\$ 1.50
14" Black/White Stripe - terminal board to blower #2	N/A	N/A	N/A	64675	\$ 1.50
10" Green wire - circuit board to transformer to ground	N/A	64676	\$ 2.40	64676	\$ 2.40
10" Black wire - transformer to circuit board	N/A	64677	\$ 1.50	64677	\$ 1.50
3" Green wire - terminal board to ground	N/A	78223	\$ 1.10	78223	\$ 1.10
48" Red thermostat wire	N/A	64678	\$ 1.50	64678	\$ 1.50
48" White thermostat wire	N/A	64679	\$ 1.50	64679	\$ 1.50
20" White wire - terminal board to circuit board	N/A	N/A	N/A	64680	\$ 2.20
12" Black Wire - terminal board to blower	N/A	64668	\$ 1.30	N/A	N/A
14" Black/White Stripe - circuit board to terminal board	N/A	64675	\$ 1.50	N/A	N/A

**Mr. Contractor,** we only sell parts through our wholesalers, but the prices listed above are for your convenience. For prompt parts service, contact the wholesaler from which you purchased your Cozy heater. **NOTE:** Parts prices & schematic drawings on current models are shown at [www.cozyheaters.com](http://www.cozyheaters.com).

MARCH 2009